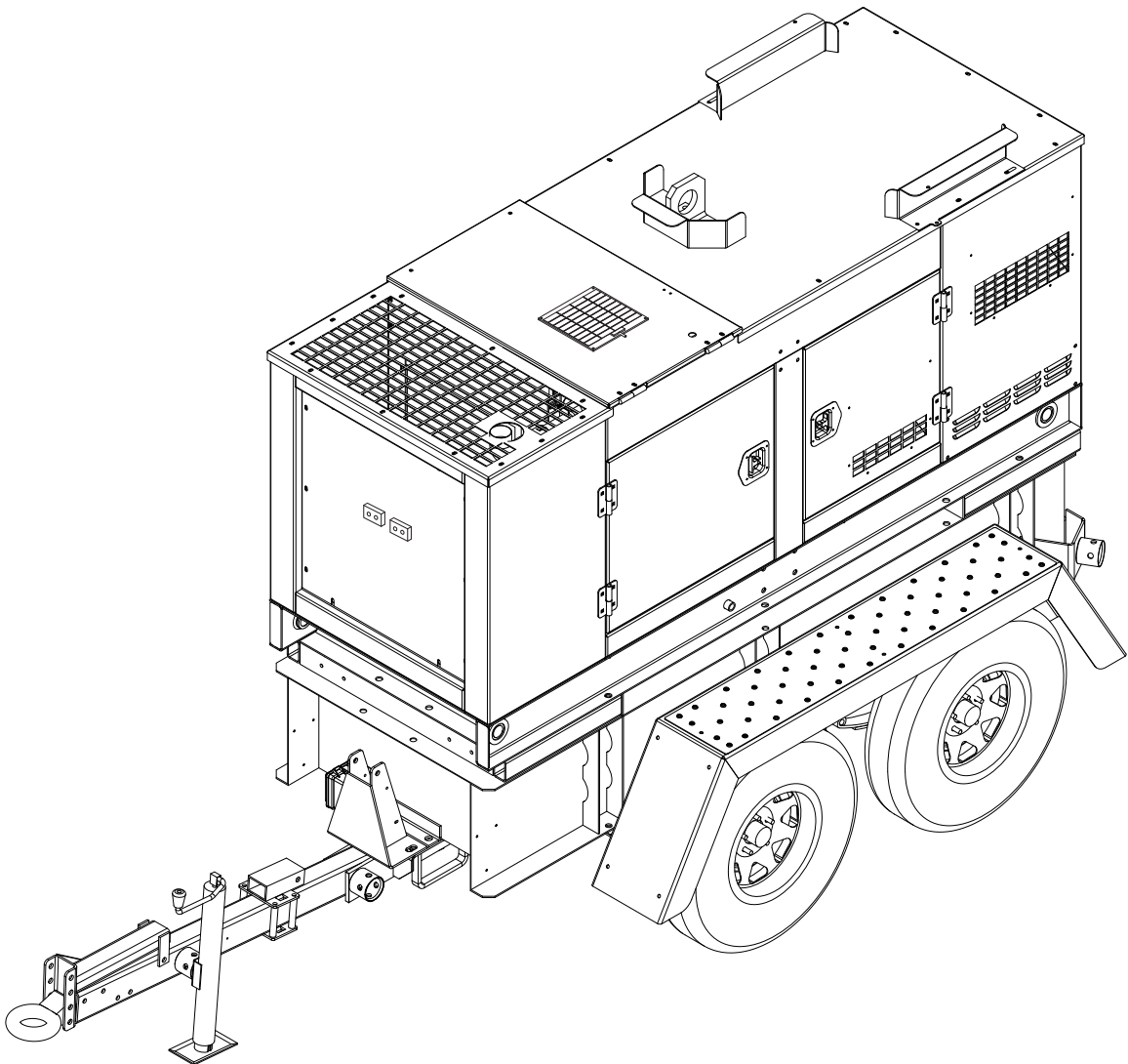




MAGNUM™

POWER PRODUCTS LLC

DIESEL GENERATOR MMG50ITM



PARTS MANUAL

INTRODUCTION

Before servicing this machine, make sure the engine start switch is turned to “OFF/O”, the circuit breakers are open (“OFF/O”), the emergency stop switch is closed (pushed in), and the negative (-) terminal on the battery is disconnected. Attach a “DO NOT START” sign to the control panel. This will notify everyone that the unit is being serviced and will reduce the chance of someone inadvertently trying to start the unit. If the unit is connected to a remote start or transfer switch, make sure the remote switch is also off and tagged.

▲ WARNING

Before operating or servicing this equipment, read and understand the Magnum Operating Manual which was included with the unit when shipped from the factory. Failure to do so increases the risk of injury to yourself or others.

MAGNUM POWER PRODUCTS LLC

215 Power Drive • Berlin, WI 54923

U.S.A.

Phone: 920-361-4442

FAX: 920-361-4416

Toll Free: 1-800-926-9768

www.m-p-llc.com

For technical or parts QUESTIONS, please contact Magnum Power Products LLC Customer Support or Technical Support team at 1-800-926-9768. Please have your serial number available.

To ORDER SERVICE PARTS, please contact the dealer from which you purchased the unit, or call Magnum Power Products LLC to locate a dealer in your area.

Engine Make: _____

Engine Serial Number: _____

Engine Model Number: _____

Generator Make: _____

Generator Model Number: _____

Generator Serial Number: _____

Unit Model Number: _____

Unit Serial Number: _____

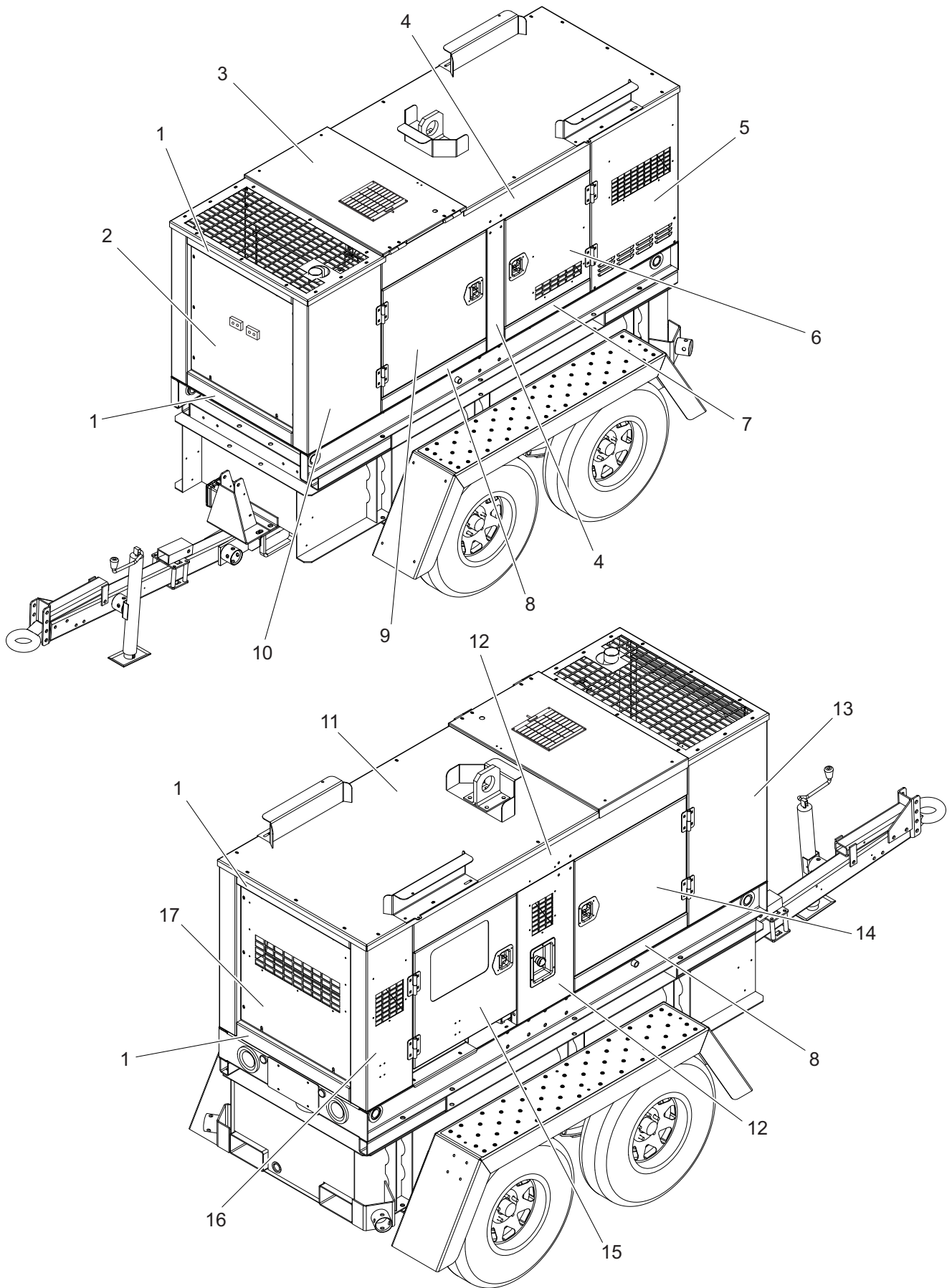
▲ WARNING

CALIFORNIA PROPOSITION 65 WARNING: Diesel engine exhaust and some of its constituents are known to the state of California to cause cancer, birth defects and other reproductive harm.

TABLE OF CONTENTS

	Page
INTRODUCTION	2
ENCLOSURE PANELS	4
UNIT DECALS - EXTERIOR	6
UNIT DECALS - LEFT SIDE INTERIOR	7
UNIT DECALS - RIGHT SIDE INTERIOR	8
UNIT DECALS - CONTROL BOX	9
ROOF TO UNIT ASSEMBLY	10
ROOF ACCESS PANEL ASSEMBLY	12
ROOF ASSEMBLY	14
DOORS, FRONT PANEL, AND REAR PANEL TO UNIT	16
LEFT FRONT DOOR ASSEMBLY	18
LEFT REAR DOOR ASSEMBLY	20
RIGHT FRONT DOOR ASSEMBLY	22
CONTROL DOOR ASSEMBLY	24
FRONT PANEL ASSEMBLY	26
REAR PANEL ASSEMBLY	28
END AND SIDE PANELS TO UNIT	30
CENTER AND CORNER PANELS TO UNIT	32
LEFT REAR CORNER ASSEMBLY	34
RIGHT REAR CORNER ASSEMBLY	36
LEFT FRONT CORNER ASSEMBLY	38
RIGHT FRONT CORNER ASSEMBLY	40
LEFT CENTER PANEL ASSEMBLY	42
RIGHT CENTER PANEL ASSEMBLY	44
CONTROL BOX TO UNIT ASSEMBLY	46
CONTROL BOX ASSEMBLY (1 OF 2)	48
CONTROL BOX ASSEMBLY (2 OF 2)	50
CONTROL PANEL ASSEMBLY	52
LUG BOX ASSEMBLY	54
LUG BOX DOOR ASSEMBLY	56
OUTLET PANEL ASSEMBLY	58
LIFT STRUCTURE TO SKID ASSEMBLY	60
LIFT STRUCTURE ASSEMBLY	62
AIR FILTER ASSEMBLY	64
EXHAUST SYSTEM ASSEMBLY	66
COOLING SYSTEM ASSEMBLY	68
COOLING SYSTEM HOSES	70
ENGINE AND GENERATOR TO SKID ASSEMBLY	72
ENGINE ASSEMBLY	74
ENGINE MOUNT ASSEMBLY	76
ENGINE FILTERS ASSEMBLY	78
GENERATOR ASSEMBLY	80
GENERATOR BOX ASSEMBLY	82
SKID ASSEMBLY	84
FUEL TANK ASSEMBLY	86
SKID TO FUEL TANK ASSEMBLY	88
TRAILER ASSEMBLY	90
AXLE ASSEMBLY	92
RECOMMENDED SPARE PARTS LIST	94
NOTES	95

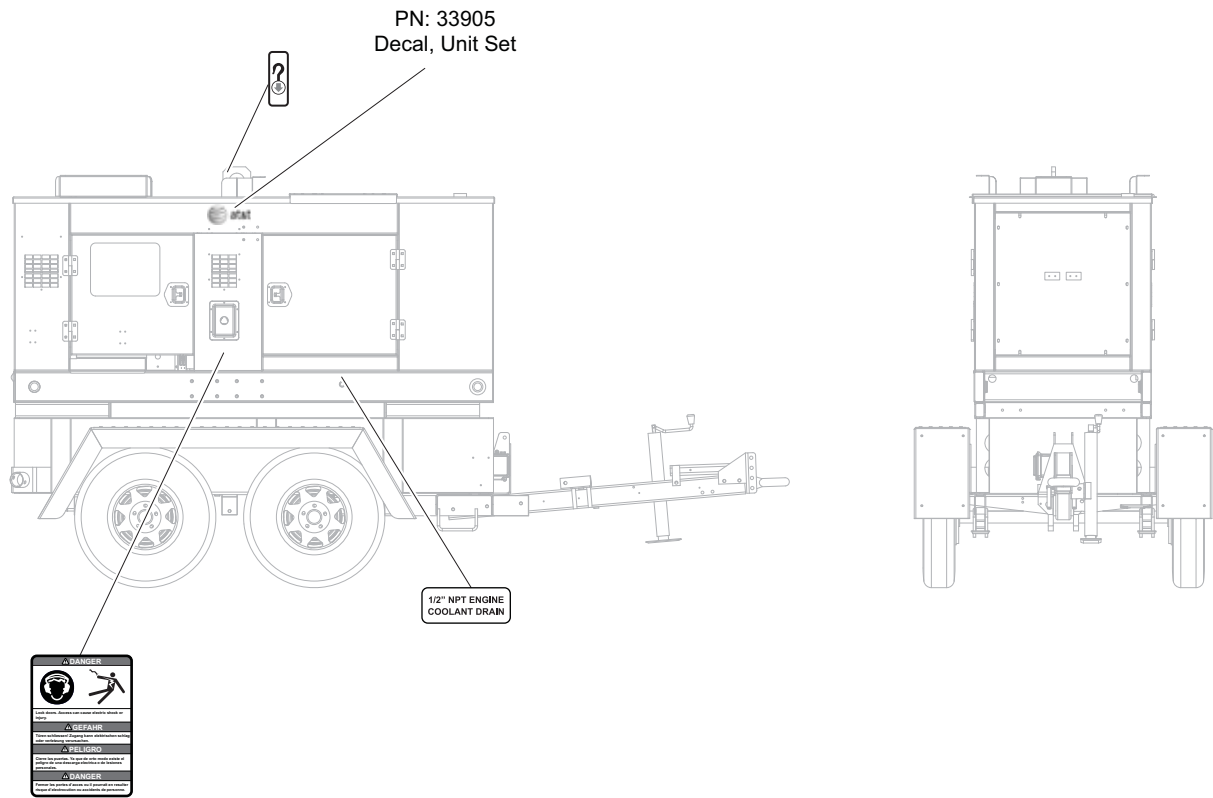
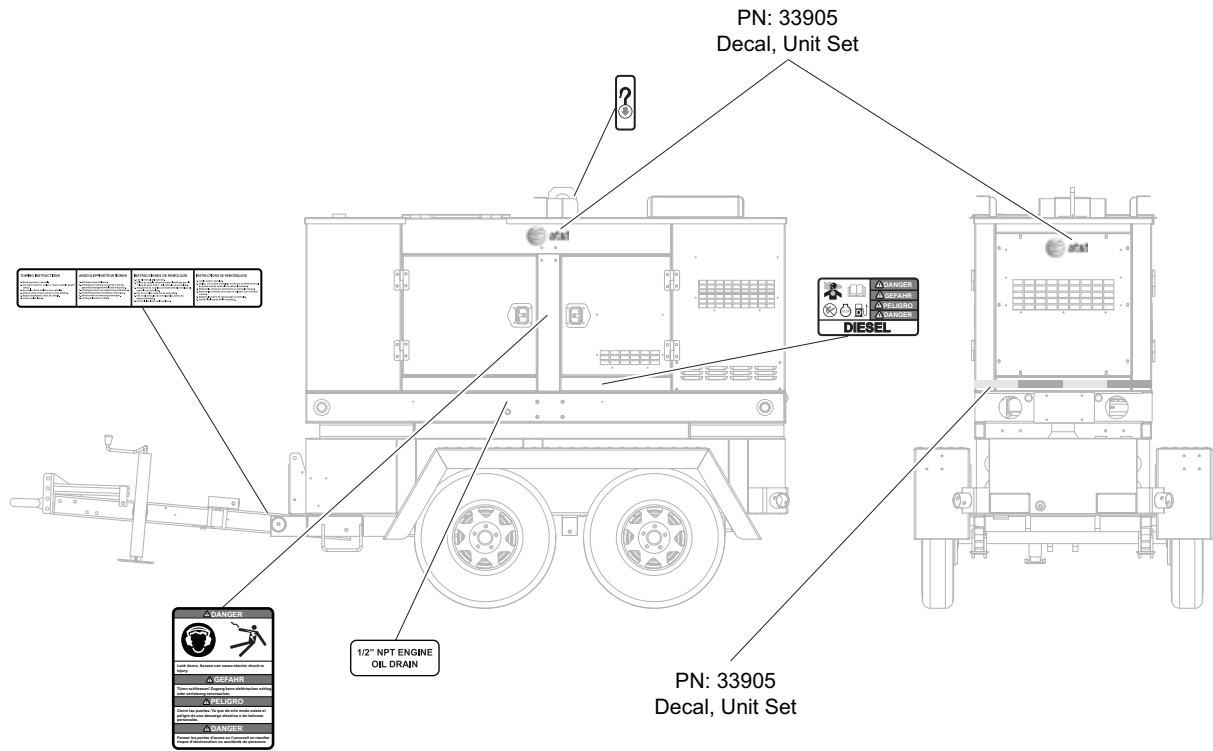
ENCLOSURE PANELS



ENCLOSURE PANELS

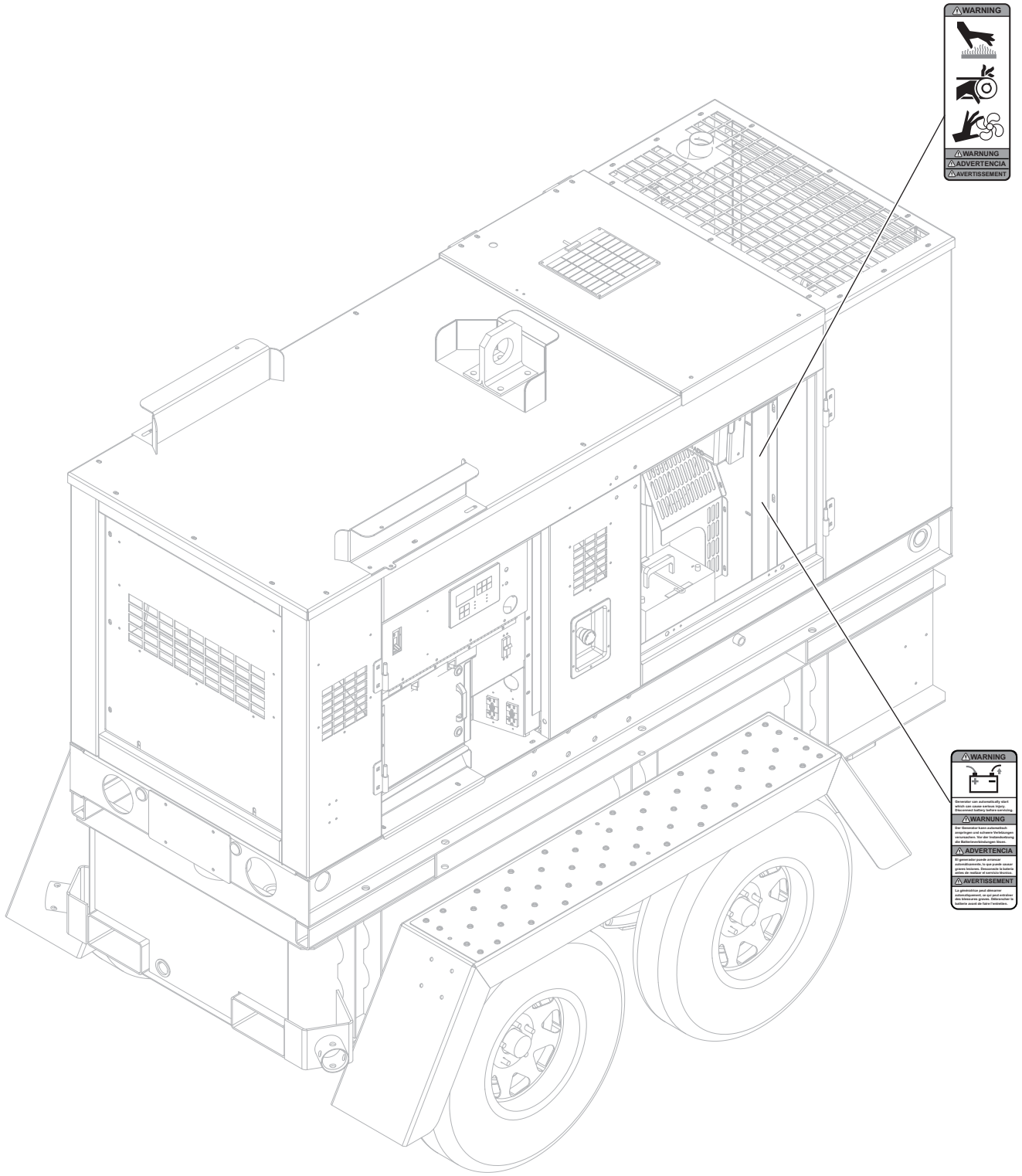
ITEM	PAGE NO.	QTY	DESCRIPTION	NOTES
1	Page 30	4	End panel assembly	
2	Page 26	1	Front panel assembly	
3	Page 12	1	Roof access panel assembly	
4	Page 42	1	Left center panel assembly	
5	Page 34	1	Left rear corner assembly	
6	Page 20	1	Left rear door assembly	
7	Page 30	1	Rear side panel assembly	
8	Page 30	2	Front side panel assembly	
9	Page 18	1	Left front door assembly	
10	Page 38	1	Left front corner assembly	
11	Page 14	1	Roof assembly	
12	Page 44	1	Right center panel assembly	
13	Page 40	1	Right front corner assembly	
14	Page 22	1	Right front door assembly	
15	Page 24	1	Control door assembly	
16	Page 36	1	Right rear corner assembly	
17	Page 28	1	Rear panel assembly	

UNIT DECALS - EXTERIOR



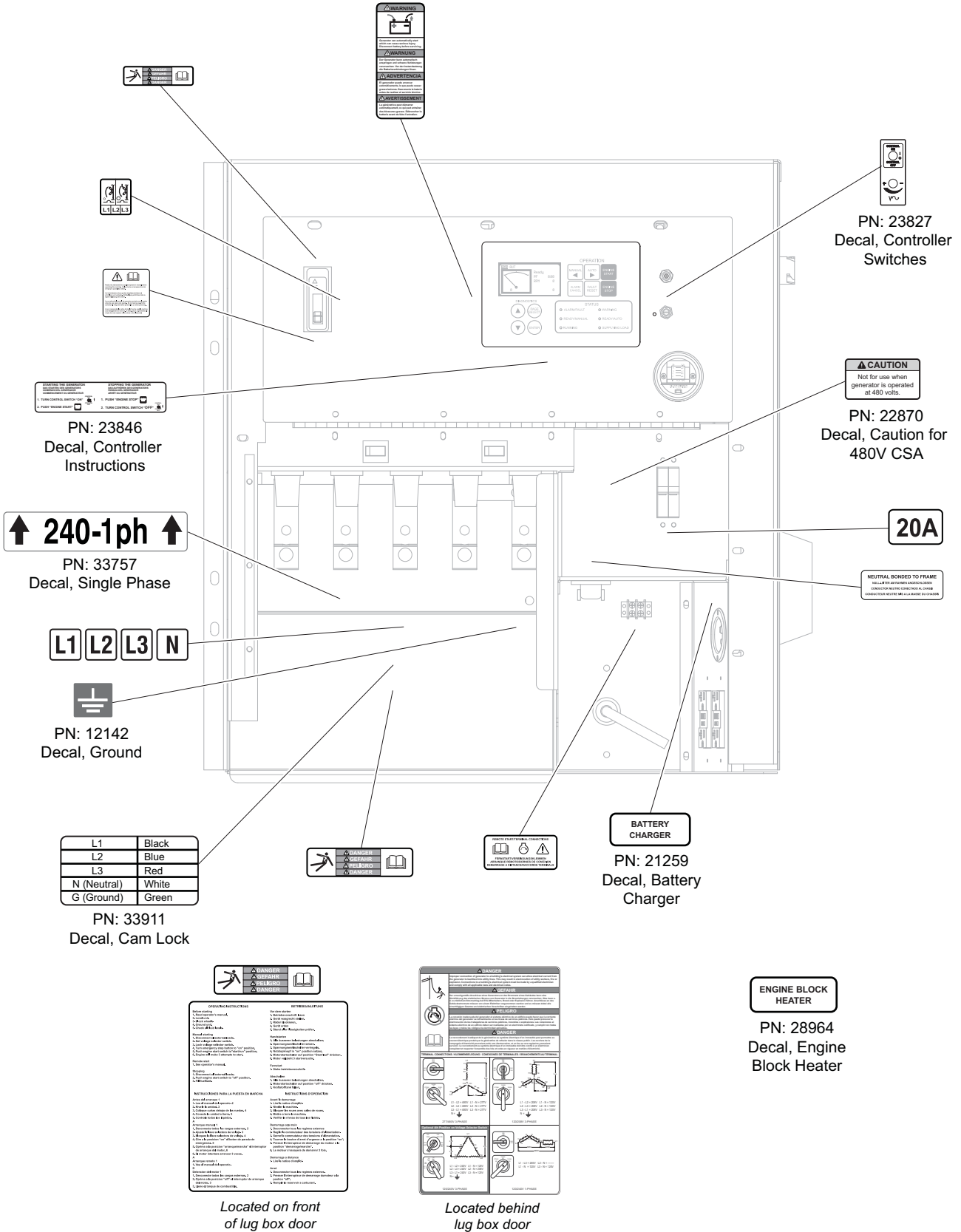
Note: All safety and operating decals are located on decal sheet 23599, unless otherwise noted.

UNIT DECALS - RIGHT SIDE INTERIOR



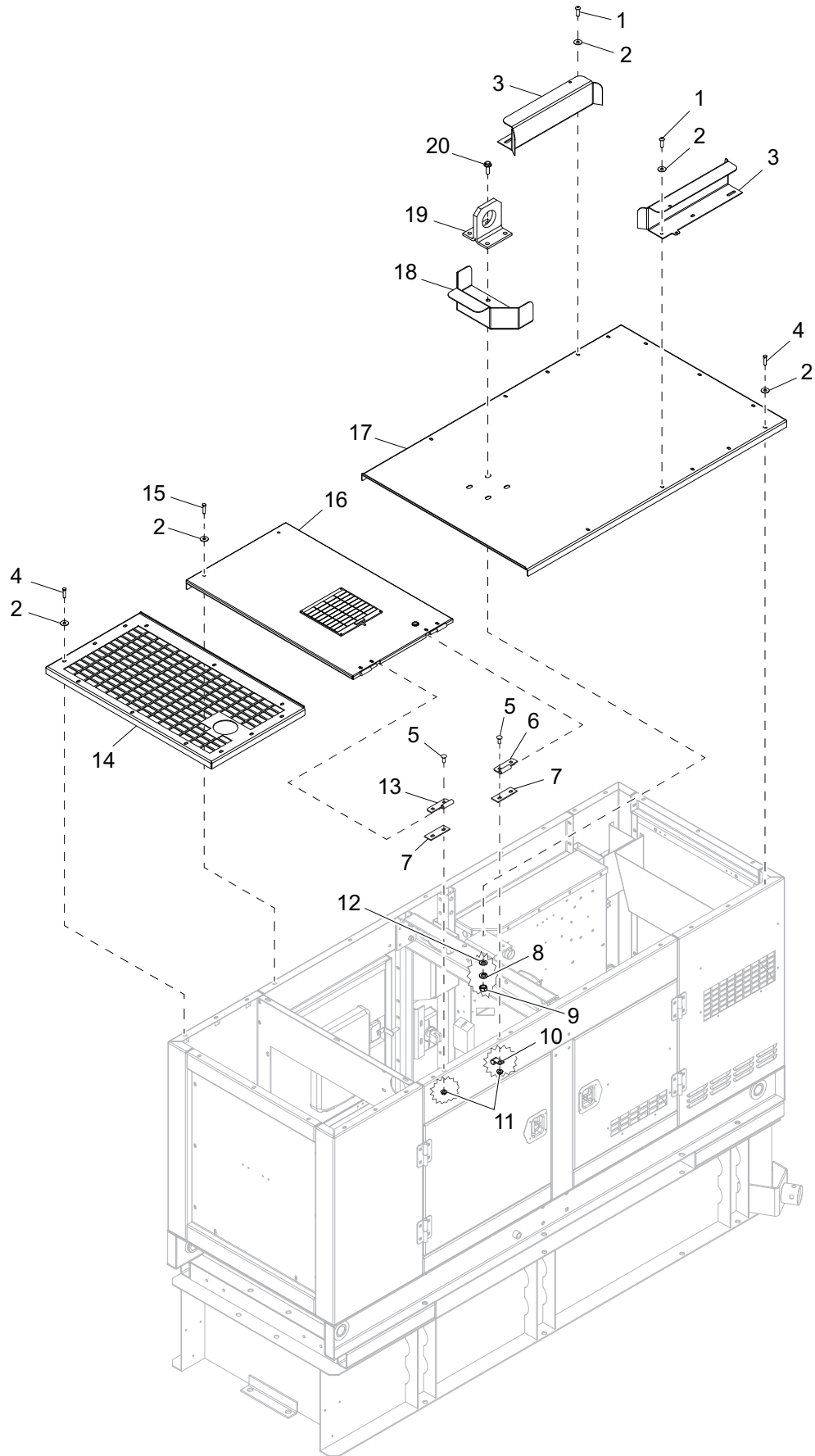
Note: All safety and operating decals are located on decal sheet 23599, unless otherwise noted.

UNIT DECALS - CONTROL BOX



Note: All safety and operating decals are located on decal sheet 23599, unless otherwise noted.

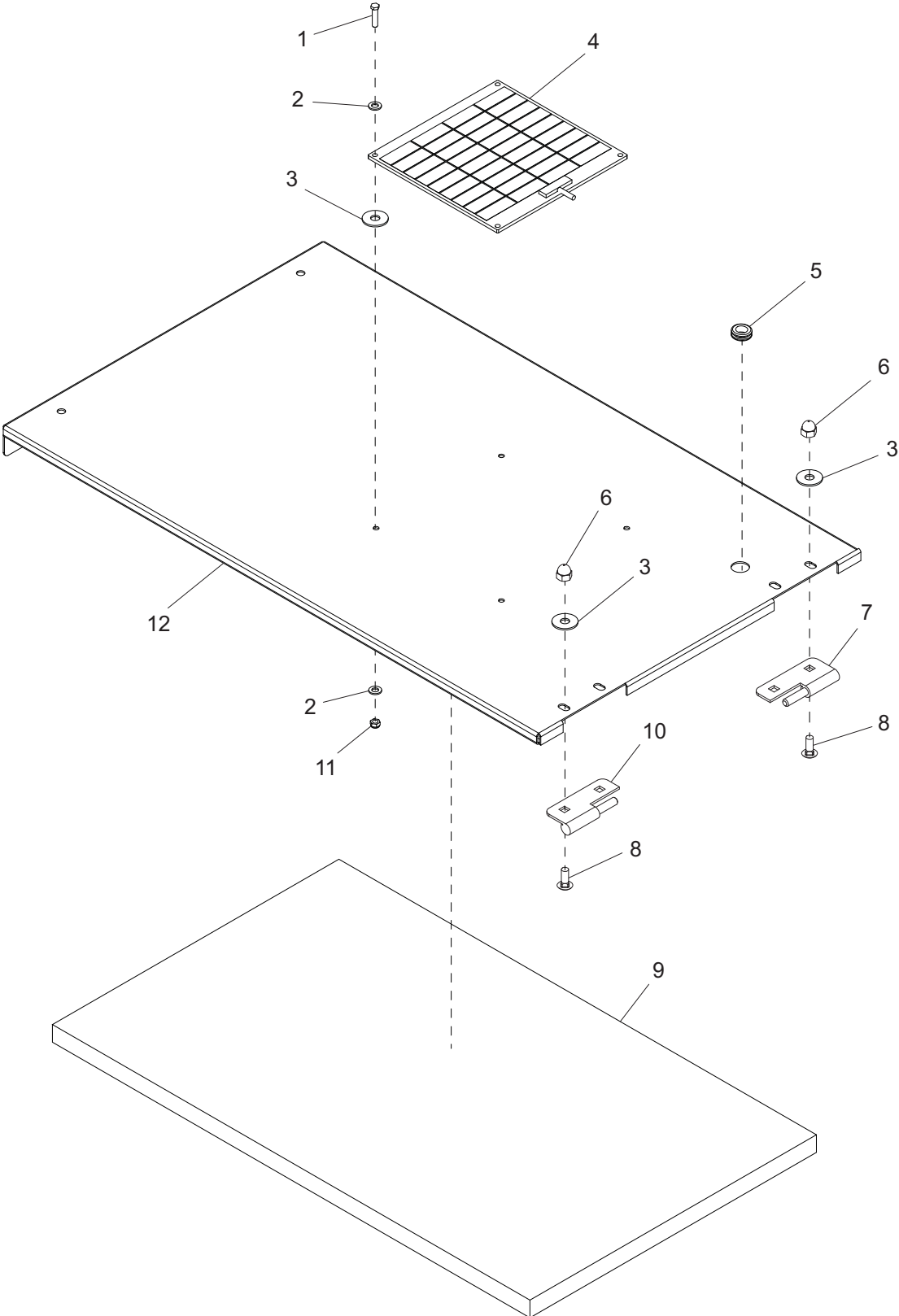
ROOF TO UNIT ASSEMBLY



ROOF TO UNIT ASSEMBLY

ITEM	PART NO.	QTY	DESCRIPTION	NOTES
1	60654	6	Screw, .312-18x1.0 button hex, SS	
2	60452	27	Washer, .313 flat 1.125/1.0 bonded rubber, SS	
3	29558B	2	Bracket, cable carrier - side	
4	60507	19	Screw, .312-18x1.0 std hex, SS	
5	61066	4	Screw, .312-18x1.0 carr sqr, SS	
6	18462	1	Hinge, right (female)	
7	34678B	2	Spacer, 4.0x1.38x.125	
8	60011	4	Washer, M12 split lock	
9	60013	4	Nut, M12-1.75 hex, class 10	
10	60716	1	Clamp, tubing - 1.50 lt duty	
11	60095	4	Nut, .312-18 sflg	
12	60012	4	Washer, M12 flat	
13	18460	1	Hinge, left (female)	
14	33695B	1	Panel, roof insert	
15	61052	2	Screw, .312-18x1.50 std hex, SS	
16	Page 12	1	Assembly, roof access panel	
17	Page 14	1	Assembly, roof	
18	29559B	1	Bracket, cable carrier - center	
19	22936B	1	Bracket, lifting eye	
20	60065	4	Screw, M12-1.75x40 sflg hex, G10.8	
--	50230	7.5 ft	Weatherstripping - .188x.500	Along inside edge of item 14
--	19351	6 ft	Seal, U-channel	Along outside edge of items 14 & 17
--	29642	1	Group, power adapters	
--	29595	1	Set, cable - 4W banded, #2 SC - 50 ft	
--	29624	2	Strap, velcro wire wrap - 10 in	
--	12451	2	Cord, bungee - 6 in	
--	29597	1	Cord, electrical - 50 ft	

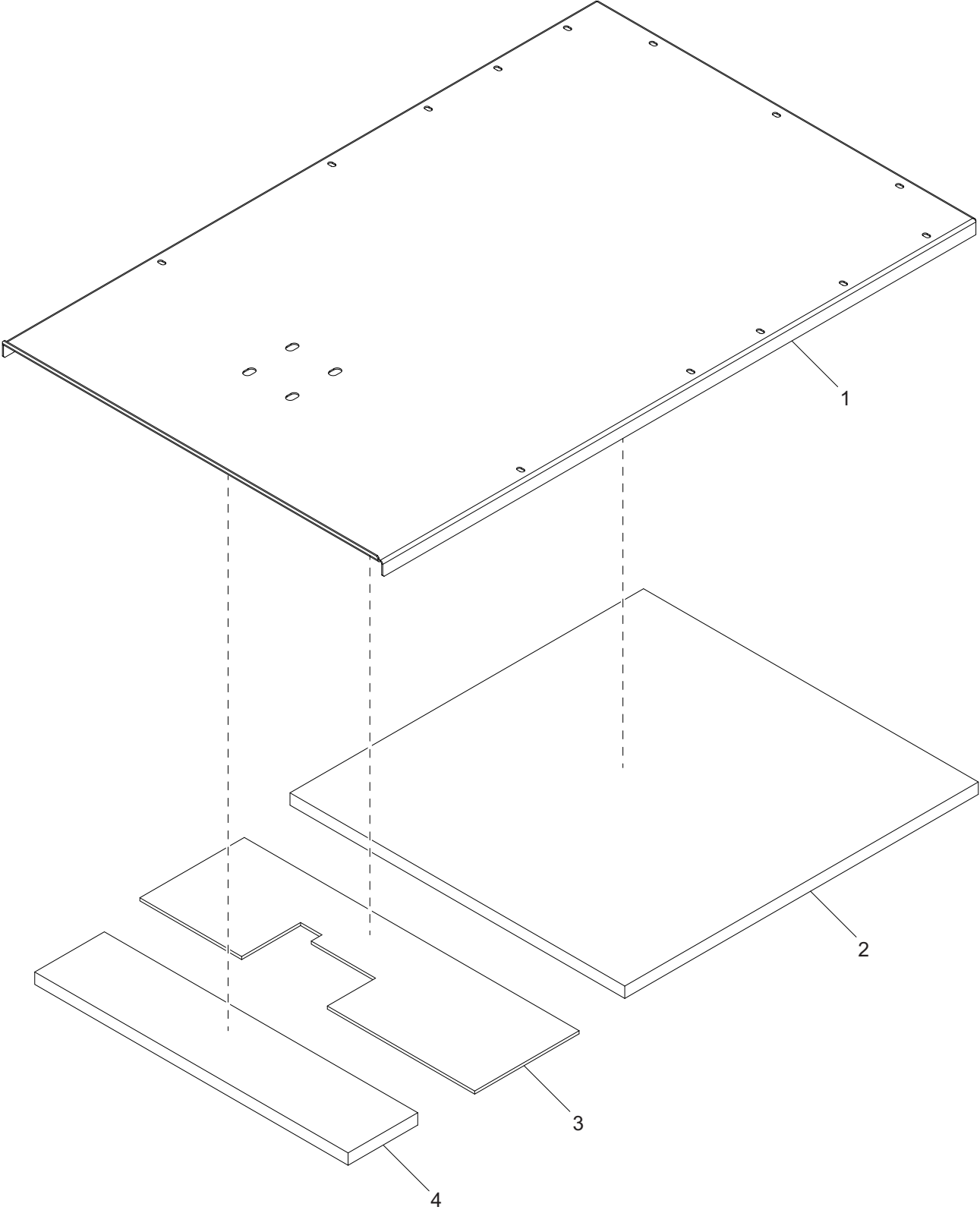
ROOF ACCESS PANEL ASSEMBLY



ROOF ACCESS PANEL ASSEMBLY

ITEM	PART NO.	QTY	DESCRIPTION	NOTES
1	60684	4	Screw, .250-20x.875 std hex, SS	
2	60696	8	Washer, .250 flat .625/.050, SS	
3	60452	8	Washer, .313 flat 1.125/1.0 bonded rubber, SS	
4	66108	1	Solargizer, 12V, 5W	
5	29653	1	Grommet, rubber - .563 IDx.125 thick	For .813 ID hole
6	63329	4	Nut, .312-18 acorn	
7	18459	1	Hinge, right (male)	
8	63328	4	Screw, .312-18x.500 button soc hex, SS	
9	33892	1	Foam, front roof access	
10	18461	1	Hinge, left (male)	
11	60144	4	Nut, .250-20 nylock, G5	
12	33667W	1	Panel, access	
--	18900ZC	1	Rod, door prop	
--	20916Z	1	Bracket, prop rod	
--	60260	2	Rivet, .188 dia. x .375 to .500 grip	
--	60048	1	Pin, roll - .125x.625	
--	13926	1	Tether, cable steel - 14.50 in. long	For .32 ID holes
--	60696	1	Washer, .250 flat .625/.050, SS	Used to attach tether
--	61055	3	Clip, rob hold - adhesive backed	

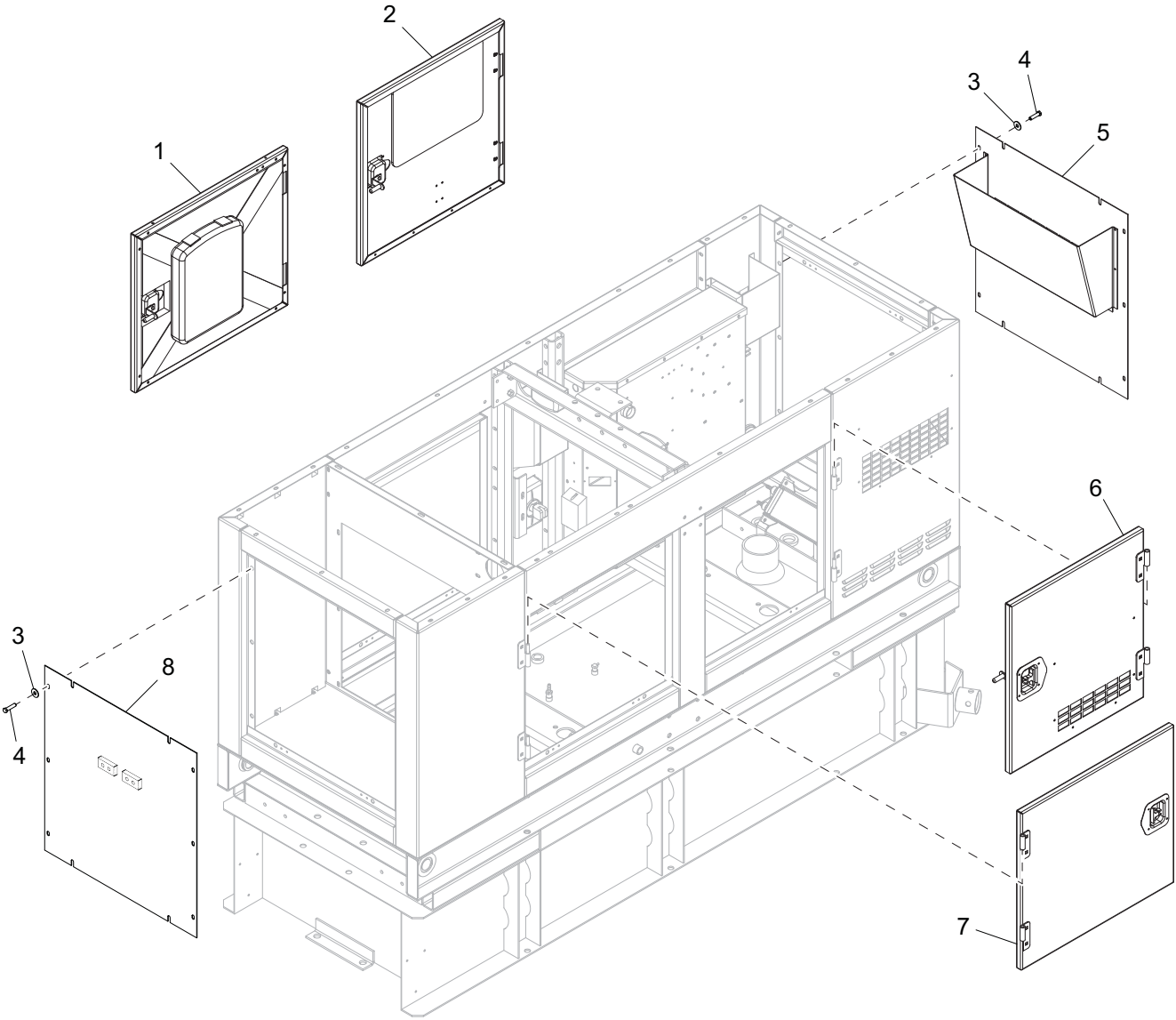
ROOF ASSEMBLY



ROOF ASSEMBLY

ITEM	PART NO.	QTY	DESCRIPTION	NOTES
1	33670W	1	Panel, roof	
2	33890	1	Foam, rear roof	
3	33893	1	Insulation, ceramic roof	
4	33891	1	Foam, front roof	
--	50197	16 ft	Weatherstripping - .06x1.0	Along inside edge of item 1

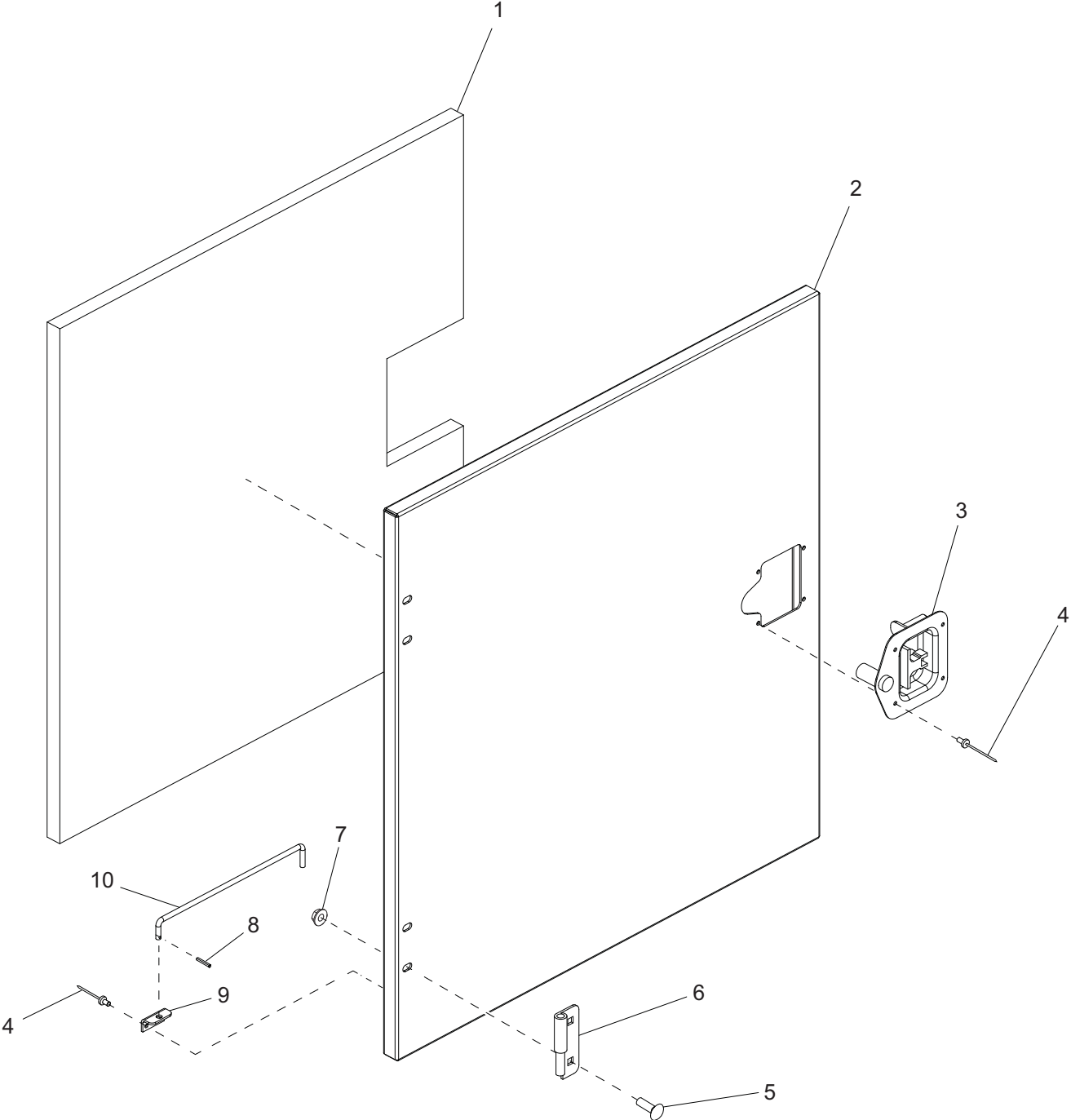
DOORS, FRONT PANEL, AND REAR PANEL TO UNIT



DOORS, FRONT PANEL, AND REAR PANEL TO UNIT

ITEM	PART NO.	QTY	DESCRIPTION	NOTES
1	Page 22	1	Assembly, right front door	
2	Page 24	1	Assembly, control door	
3	60452	20	Washer, .313 flat 1.125/1.0 bonded rubber, SS	
4	60507	20	Screw, .312-18x1.0 std hex, SS	
5	Page 28	1	Assembly, rear panel	
6	Page 20	1	Assembly, left rear door	
7	Page 18	1	Assembly, left front door	
8	Page 26	1	Assembly, front panel	
--	50187	26 ft	Seal, door D-shaped (.750)	

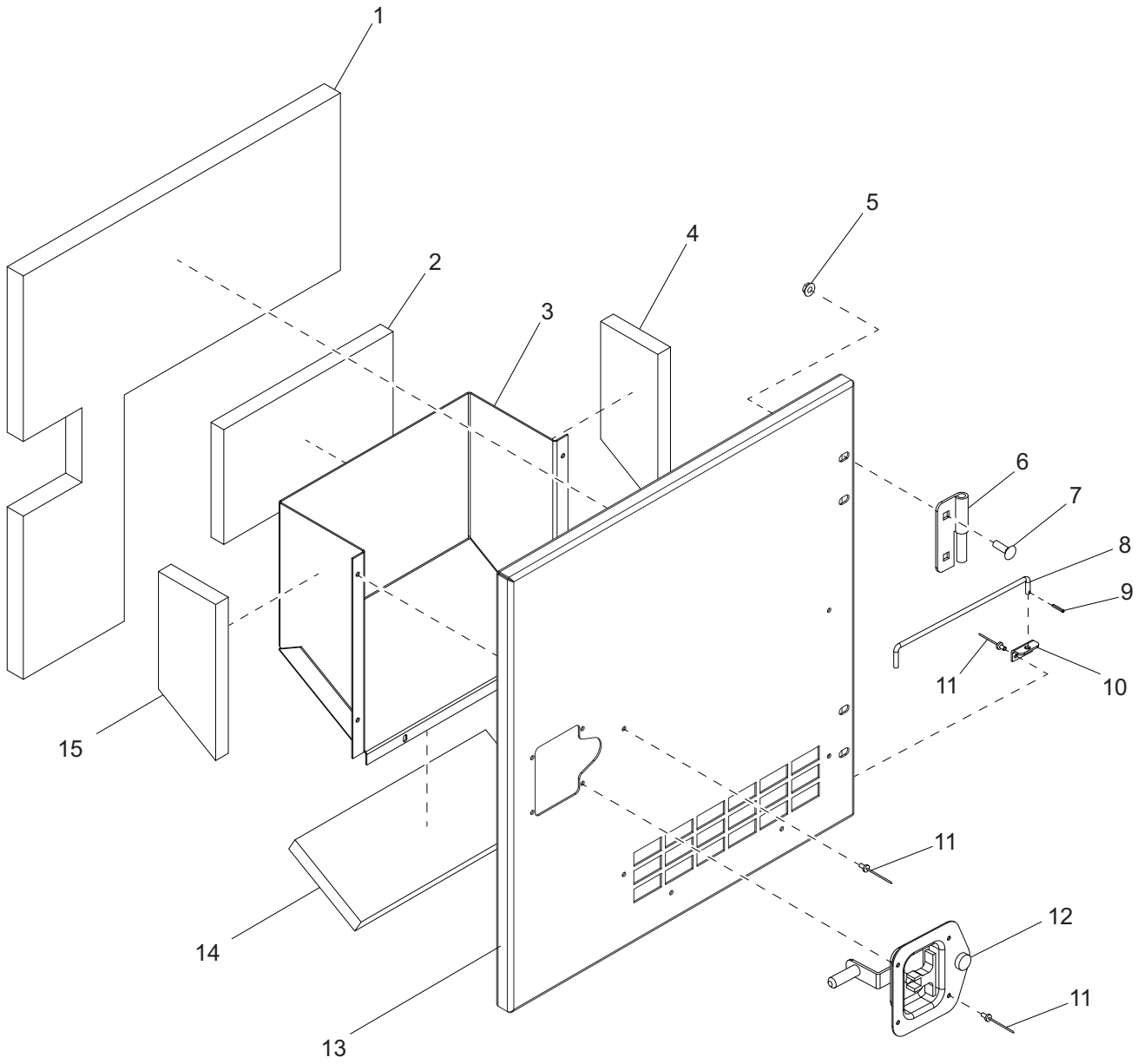
LEFT FRONT DOOR ASSEMBLY



LEFT FRONT DOOR ASSEMBLY

ITEM	PART NO.	QTY	DESCRIPTION	NOTES
1	20969	1	Foam, door - front	
2	20907W	1	Door, front	
3	22497	1	Latch, T-handle - left cw lock	
4	60268	6	Rivet, .188 dia. x .126 to .250 grip, SS	
5	61066	4	Screw, .312-18x1.0 carr sqr, SS	
6	18459	2	Hinge, right (male)	
7	60095	4	Nut, .312-18 sflg	
8	60048	1	Pin, roll .125x.625	
9	20916Z	1	Bracket, prop rod	
10	18900ZC	1	Rod, door prop	
--	33674	1	Assembly, left front door	Items 1 - 10

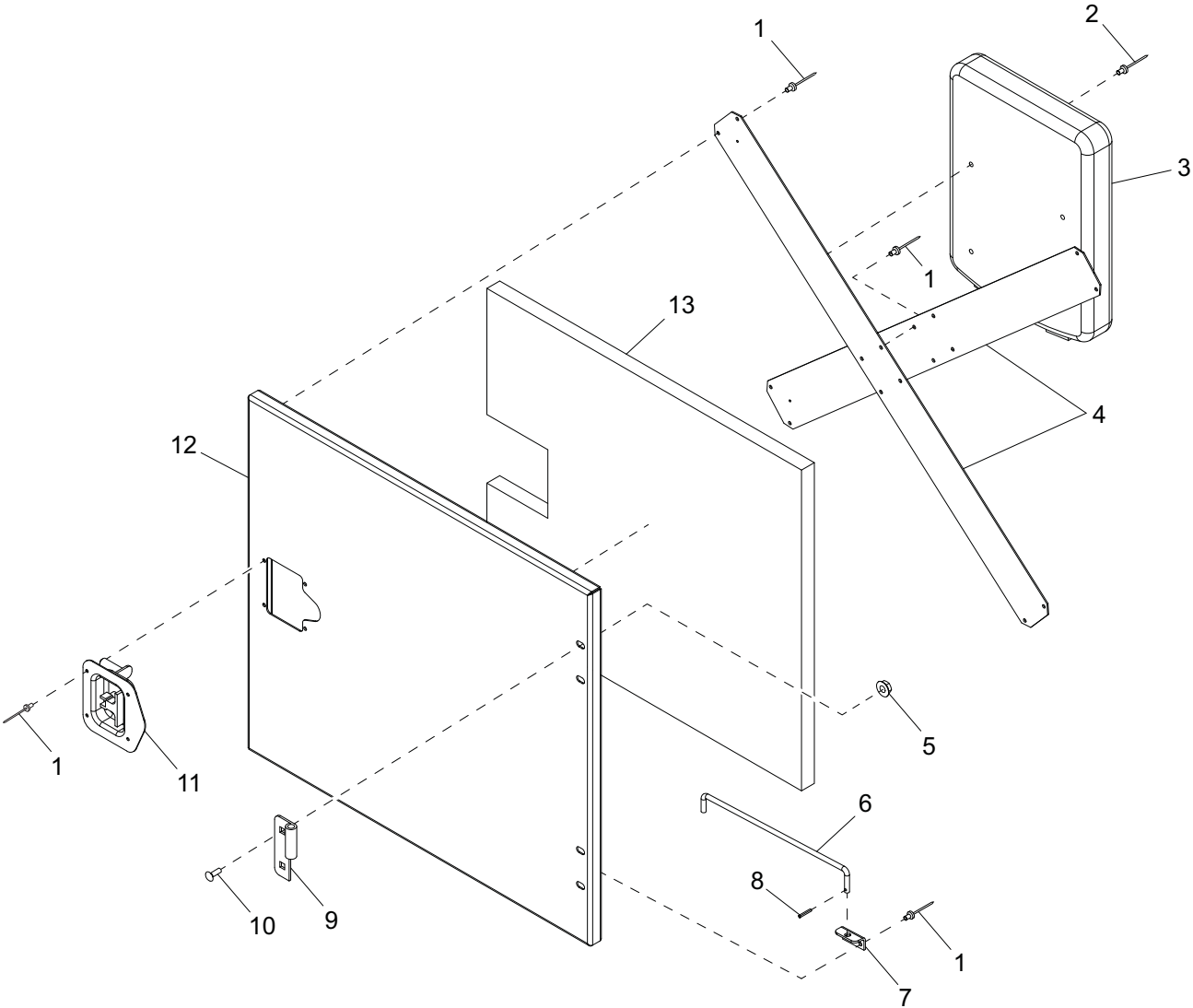
LEFT REAR DOOR ASSEMBLY



LEFT REAR DOOR ASSEMBLY

ITEM	PART NO.	QTY	DESCRIPTION	NOTES
1	22831	1	Foam, left rear door	
2	22845	1	Foam, door duct - face	
3	22823W	1	Duct, left rear door	
4	22842	1	Foam, door duct - left	
5	60095	4	Nut, .312-18 sflg	
6	18461	2	Hinge, left (male)	
7	61066	4	Screw, .312-18x1.0 carr sqr, SS	
8	18900ZC	1	Rod, door prop	
9	60048	1	Pin, roll .125x.625	
10	20916Z	1	Bracket, prop rod	
11	60268	12	Rivet, .188 dia. x .126 to .250 grip, SS	
12	22498	1	Latch, T-handle - right ccw lock	
13	22819W	1	Door, left rear	
14	22846	1	Foam, door duct - lower	
15	22841	1	Foam, door duct - right	
--	22821	1	Assembly, left rear door	Items 1 - 15

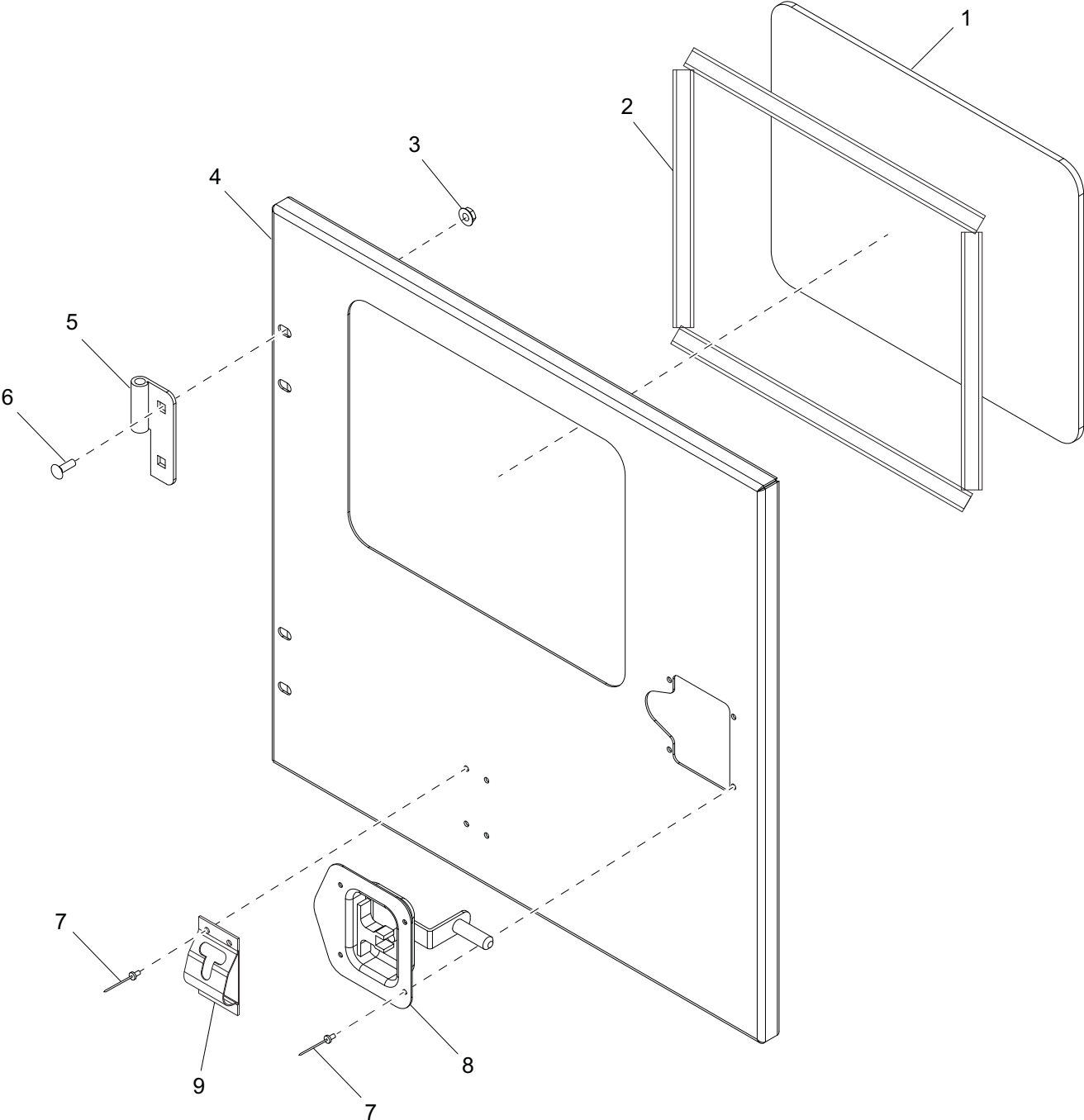
RIGHT FRONT DOOR ASSEMBLY



RIGHT FRONT DOOR ASSEMBLY

ITEM	PART NO.	QTY	DESCRIPTION	NOTES
1	60268	18	Rivet, .188 dia. x .126 to .250 grip, SS	
2	60195	2	Rivet, .188 dia. x .375 to .500 grip, SS	Large flange
3	24540	1	Holder, manual (plastic)	
4	20952B	2	Brace, door	
5	60095	4	Nut, .312-18 sflg	
6	18900ZC	1	Rod, door prop	
7	20916Z	1	Bracket, prop rod	
8	60048	1	Pin, roll .125x.625	
9	18461	2	Hinge, left (male)	
10	61066	4	Screw, .312-18x1.0 carr sqr, SS	
11	22498	1	Latch, T-Handle - right ccw lock	
12	21033W	1	Panel, door - right front	
13	20969	1	Foam, door - front	
--	22514	1	Assembly, right front door	Items 1 - 13

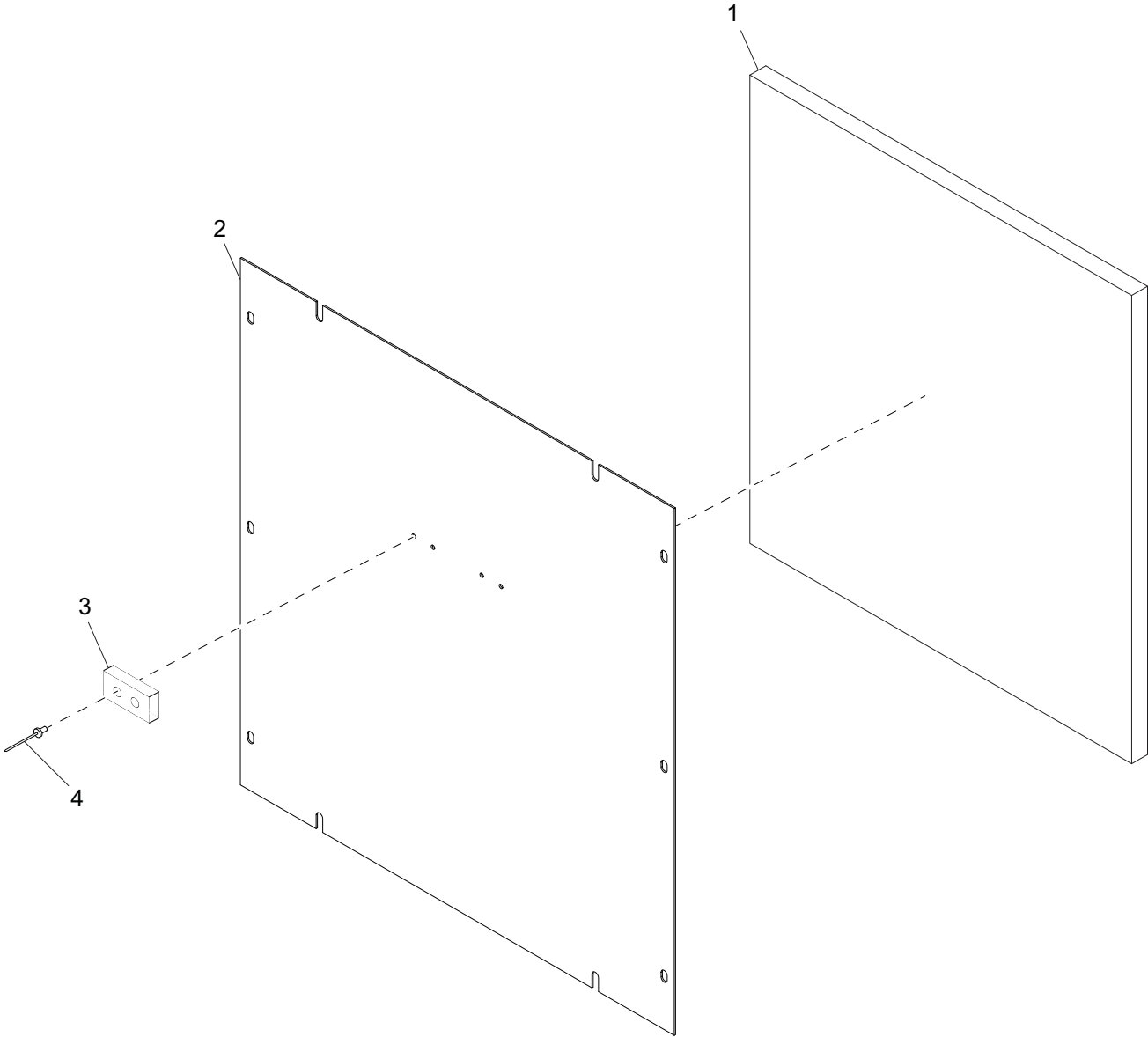
CONTROL DOOR ASSEMBLY



CONTROL DOOR ASSEMBLY

ITEM	PART NO.	QTY	DESCRIPTION	NOTES
1	21477	1	Window, control door	
2	50192	4.58 ft	Tape, .500 in, double sided, type VHB	
3	60095	4	Nut, .312-18 sflg	
4	27830W	1	Door, control	
5	18459	2	Hinge, right (male)	
6	61066	4	Screw, .312-18x1.0 carr sqr, SS	
7	60268	8	Rivet, .188 dia. x .126 to .250 grip, SS	
8	27987	1	Latch, control door	
--	27829	1	Assembly, control door	Items 1 - 8
9	62225	1	Latch, door - stainless cable w/ball	

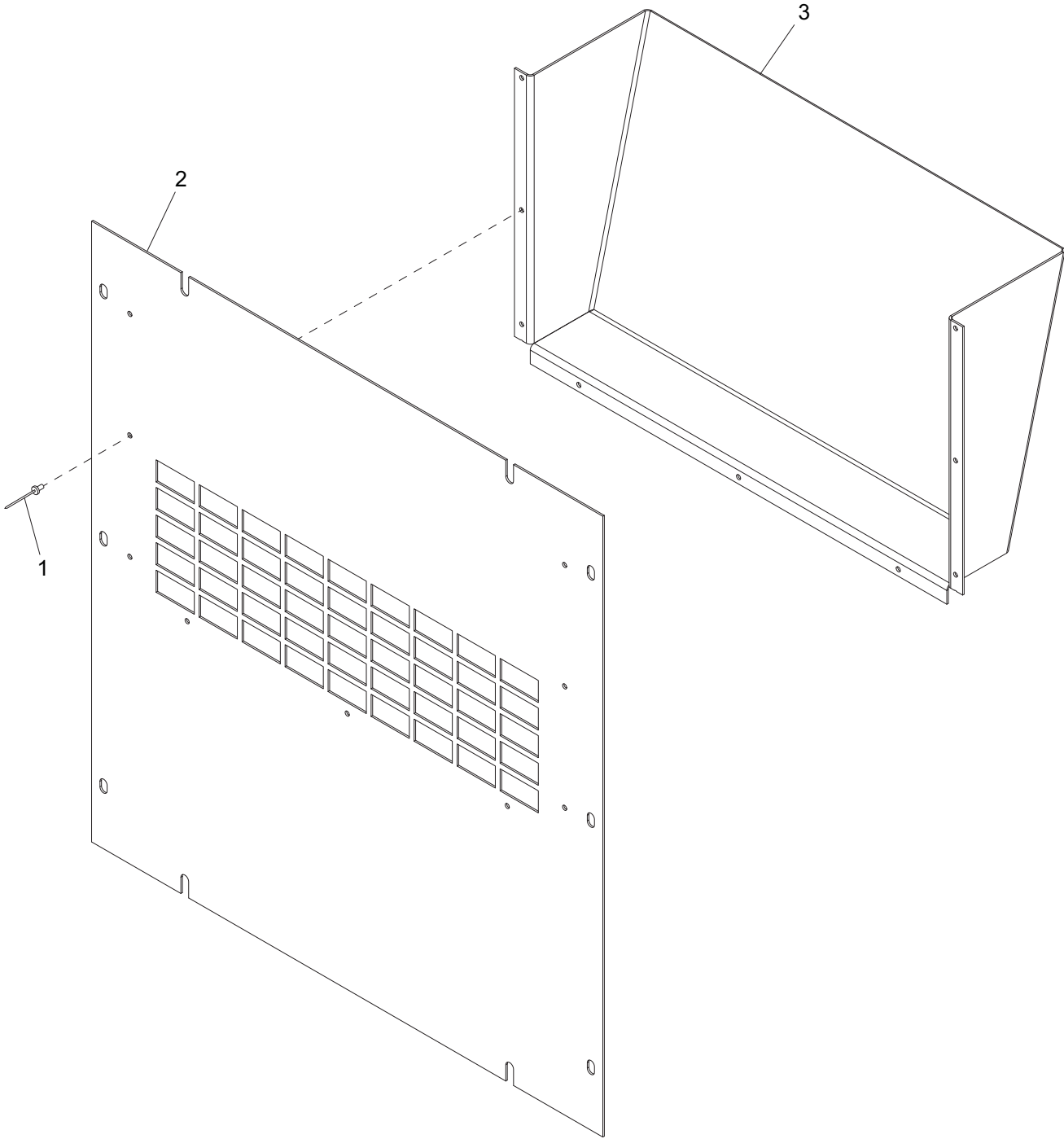
FRONT PANEL ASSEMBLY



FRONT PANEL ASSEMBLY

ITEM	PART NO.	QTY	DESCRIPTION	NOTES
1	20936	1	Foam, front panel	
2	30545W	1	Panel, front	
3	33756	2	Bumper, rubber	
4	60267	4	Rivet, .125 dia. x .191 to .270 grip, alum	
--	50197	12 ft	Weatherstripping - .06x1.0	
--	33669	1	Assembly, front panel	Items 1 - 4

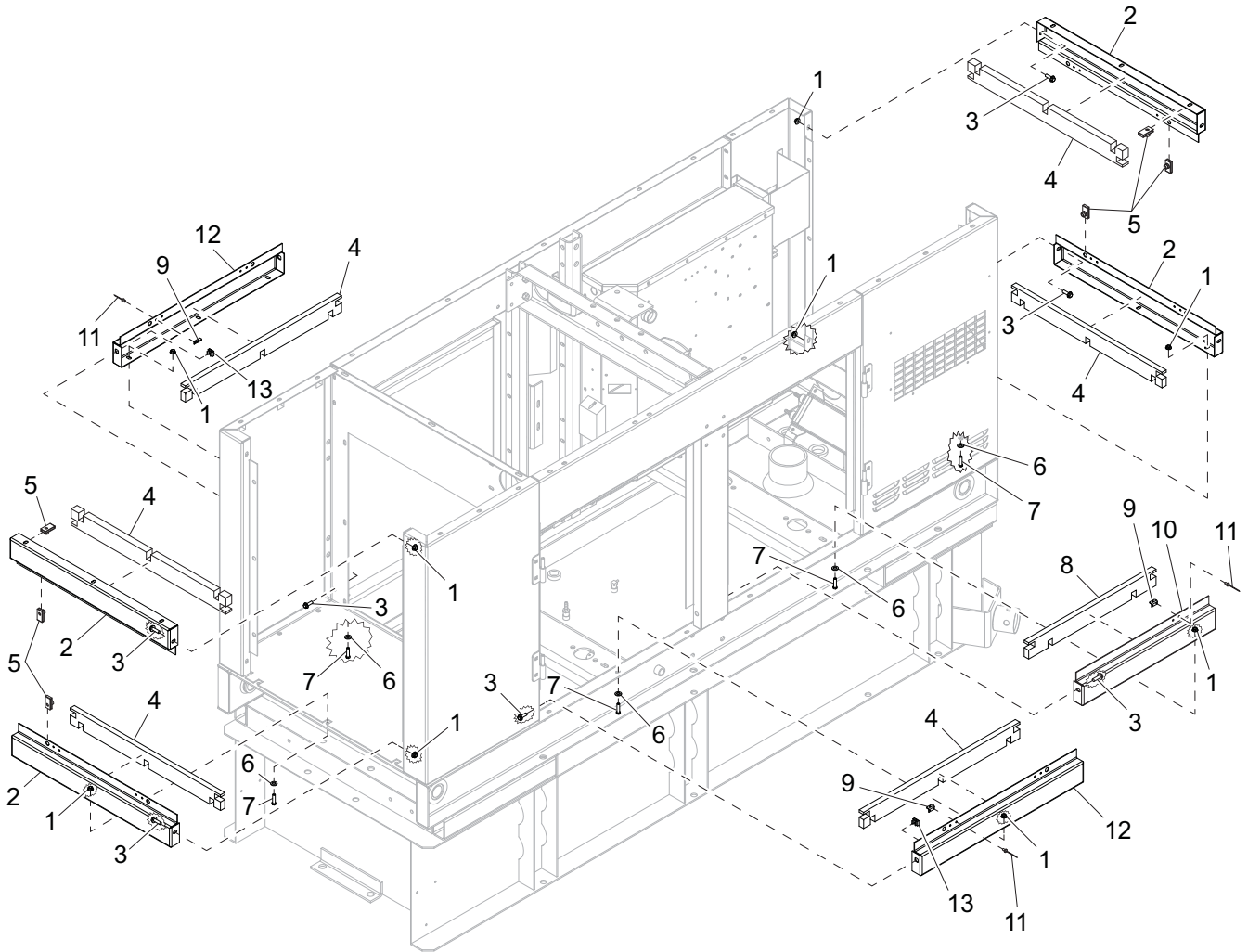
REAR PANEL ASSEMBLY



REAR PANEL ASSEMBLY

ITEM	PART NO.	QTY	DESCRIPTION	NOTES
1	60268	9	Rivet, .188 dia. x .126 to .250 grip, SS	
2	36380W	1	Panel, rear	
3	36381W	1	Duct, rear panel	
--	50197	12 ft	Weatherstripping - .06x1.0	

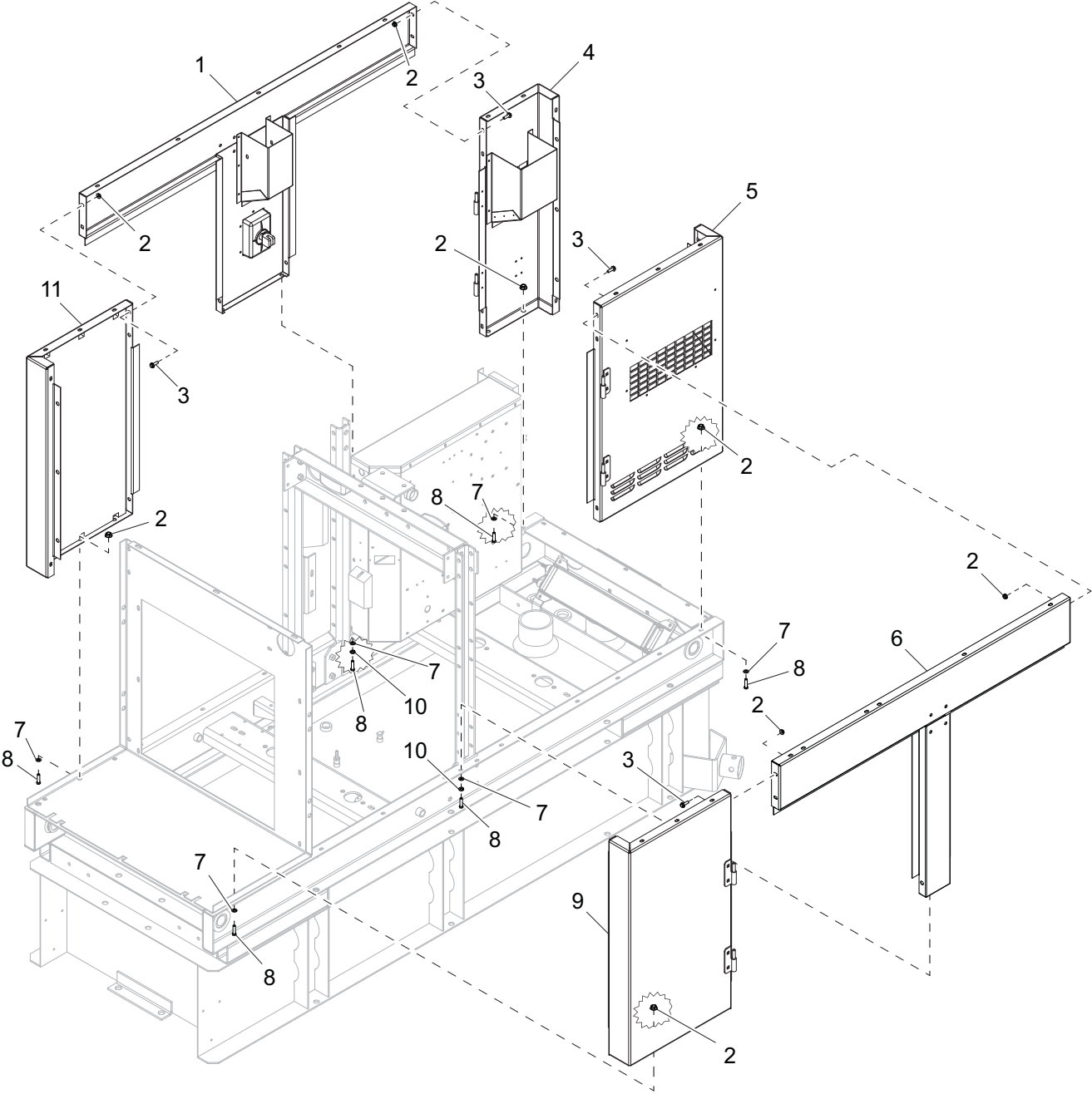
END AND SIDE PANELS TO UNIT



END AND SIDE PANELS TO UNIT

ITEM	PART NO.	QTY	DESCRIPTION	NOTES
1	60095	24	Nut, .312-18 sflg	
2	20888W	4	Panel, small	
3	61091	14	Screw, .312-18x1.0 sflg hex, G5	
4	20930	6	Foam, small panel	
5	60505	10	Nut, .312-18 U-clip - long type	
6	60340	14	Washer, .312 flat .875/.040, SS	
7	60507	14	Screw, .312-18x1.0 std hex, SS	
8	20931	1	Foam, small panel	
9	20916Z	3	Bracket, prop rod	
10	20898W	1	Panel, small - rear	
11	60268	6	Rivet, .188 dia. x .126 to .250 grip, SS	
12	30834	2	Panel, small - front	
13	15454	2	Nut, .312-18 cage	

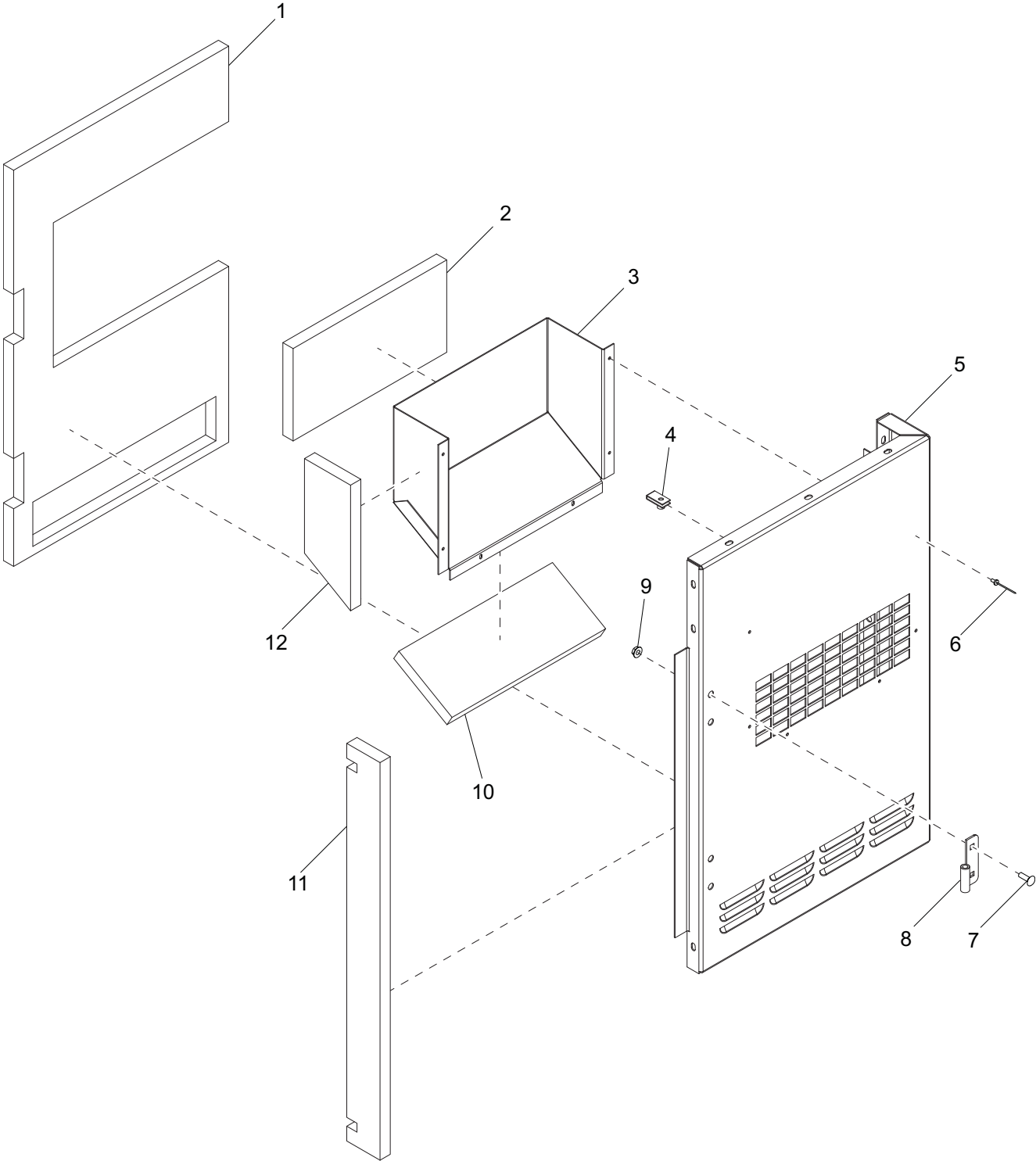
CENTER AND CORNER PANELS TO UNIT



CENTER AND CORNER PANELS TO UNIT

ITEM	PART NO.	QTY	DESCRIPTION	NOTES
1	Page 44	1	Assembly, right center panel	
2	60095	19	Nut, .312-18 sflg	
3	61091	8	Screw, .312-18x1.0 sflg hex, G5	
4	Page 36	1	Assembly, right rear corner	
5	Page 34	1	Assembly, left rear corner	
6	Page 42	1	Assembly, left center panel	
7	60340	15	Washer, .312 flat .875/.040, SS	
8	60507	15	Screw, .312-18x1.0 std hex, SS	
9	Page 38	1	Assembly, left front corner	
10	60701	4	Washer, .312 split lock, SS	
11	Page 40	1	Assembly, right front corner	

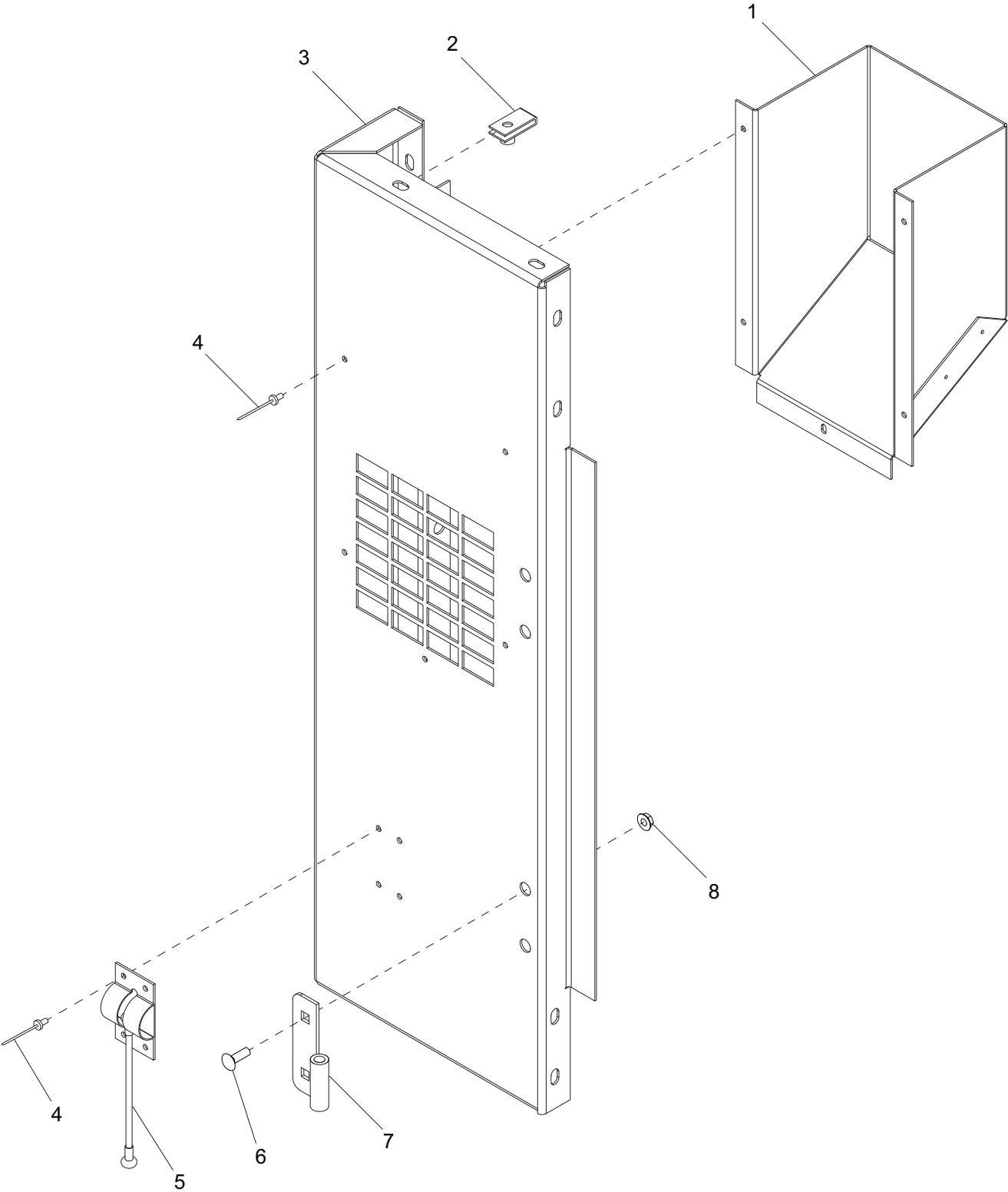
LEFT REAR CORNER ASSEMBLY



LEFT REAR CORNER ASSEMBLY

ITEM	PART NO.	QTY	DESCRIPTION	NOTES
1	33856	1	Foam, rear corner	
2	22843	1	Foam, duct - face	
3	22786W	1	Duct, air	
4	60505	6	Nut, .312-18 U-clip - long type	
5	30563W	1	Panel, left rear corner	
6	60268	6	Rivet, .188 dia. x .126 to .250 grip, SS	
7	61066	4	Screw, .312-18x1.0 carr sqr, SS	
8	18460	2	Hinge, left (female)	
9	60095	4	Nut, .312-18 sflg	
10	22844	1	Foam, duct - lower	
11	20932	1	Foam, corner common	
12	22841	1	Foam, duct - right	
--	33668	1	Assembly, left rear corner	Items 1 - 12

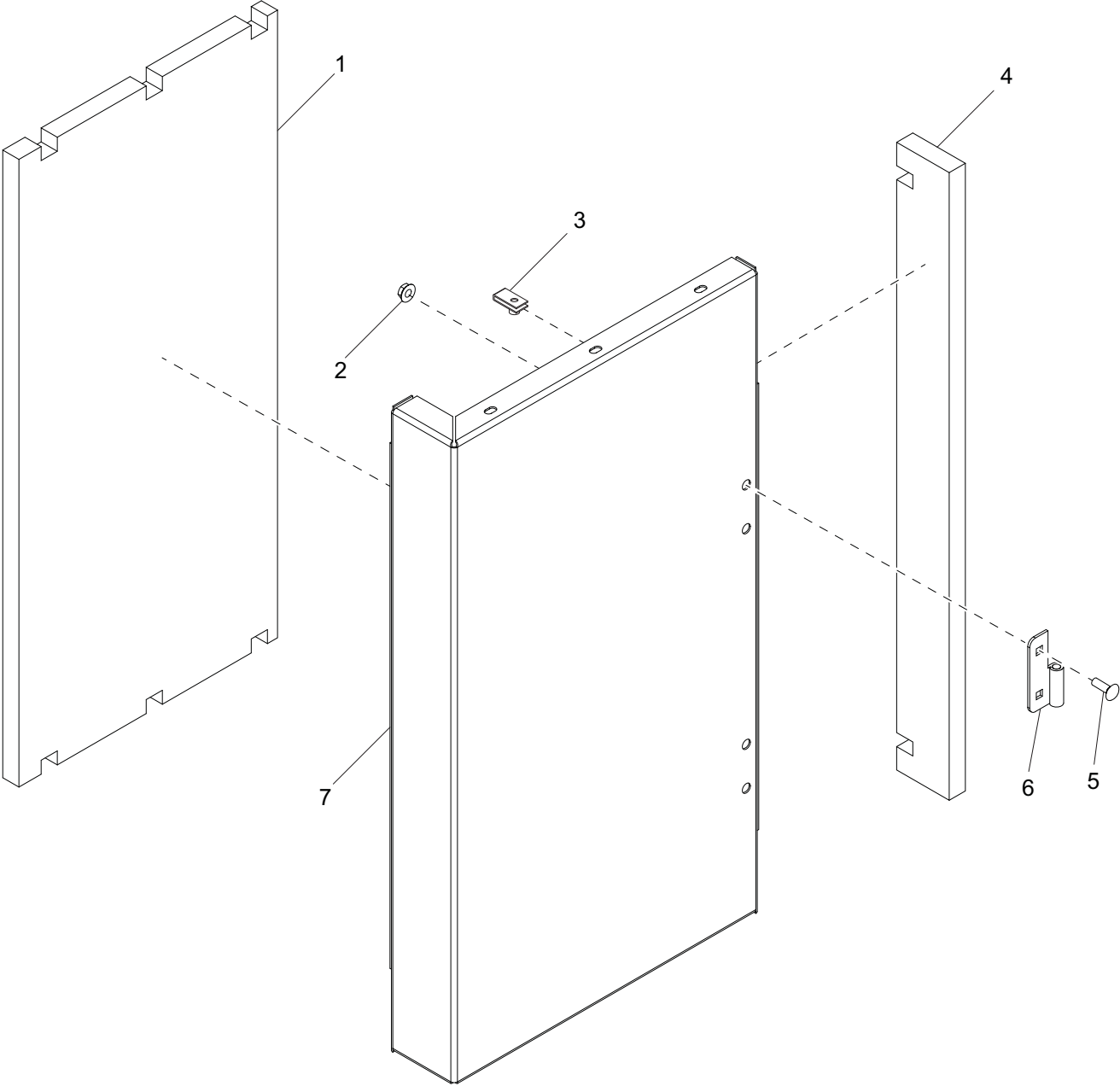
RIGHT REAR CORNER ASSEMBLY



RIGHT REAR CORNER ASSEMBLY

ITEM	PART NO.	QTY	DESCRIPTION	NOTES
1	34090W	1	Duct, air	
2	60505	5	Nut, .312-18 U-clip - long type	
3	34087W	1	Panel, right rear corner	
4	60268	9	Rivet, .188 dia. x .126 to .250 grip, SS	
5	62225	1	Latch, door - stainless cable w/ball	
6	61066	4	Screw, .312-18x1.0 carr sqr, SS	
7	18462	2	Hinge, right (female)	
8	60095	4	Nut, .312-18 sflg	
--	33798	1	Assembly, right rear corner	Items 1 - 8

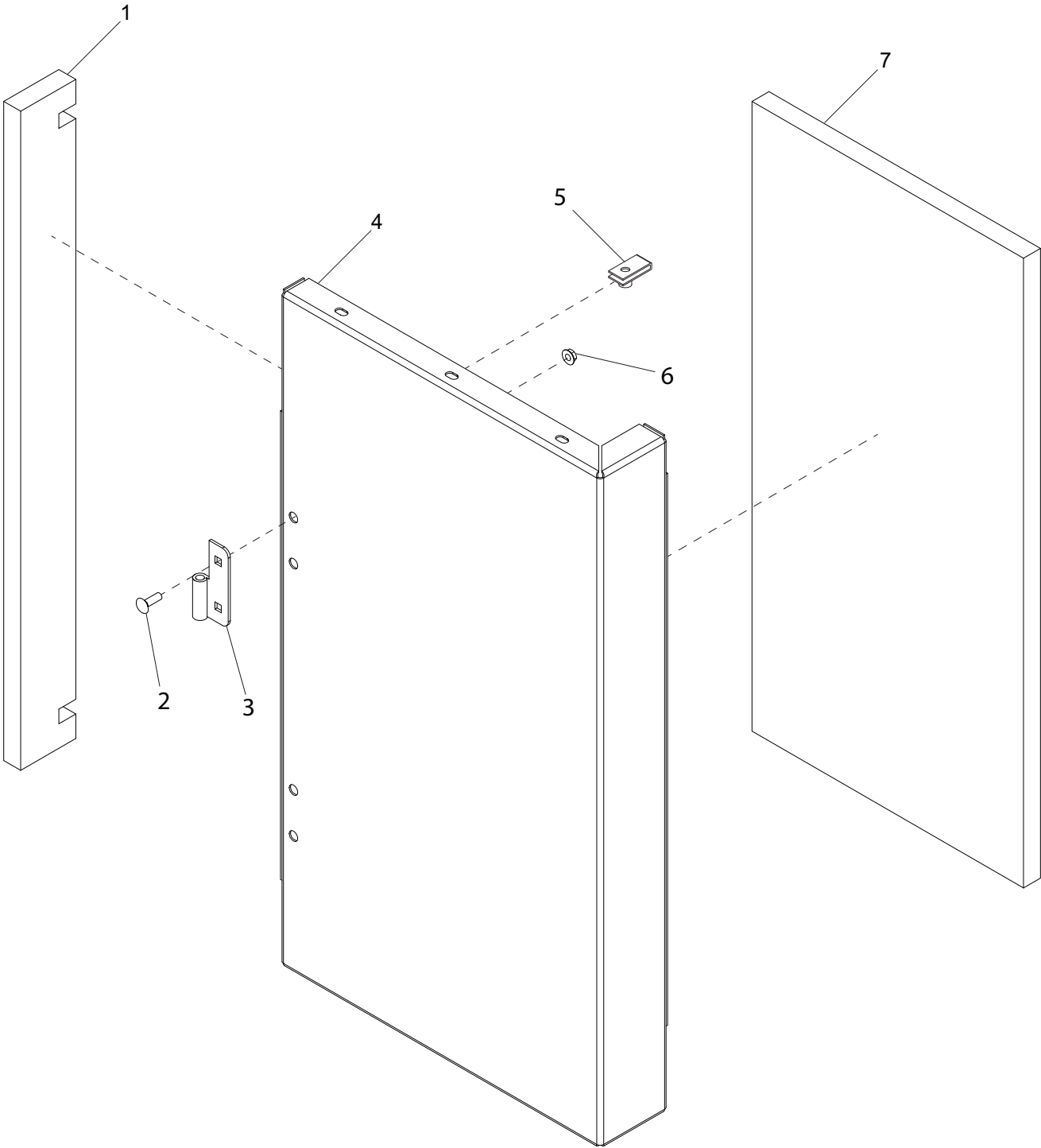
LEFT FRONT CORNER ASSEMBLY



LEFT FRONT CORNER ASSEMBLY

ITEM	PART NO.	QTY	DESCRIPTION	NOTES
1	22827	1	Foam, front corner	
2	60095	4	Nut, .312-18 sflg	
3	60505	6	Nut, .312-18 U-clip - long type	
4	20932	1	Foam, corner common	
5	61066	4	Screw, .312-18x1.0 carr sqr, SS	
6	18462	2	Hinge, right (female)	
7	22782W	1	Panel, left front corner	
--	22795	1	Assembly, front left corner	Items 1 - 7

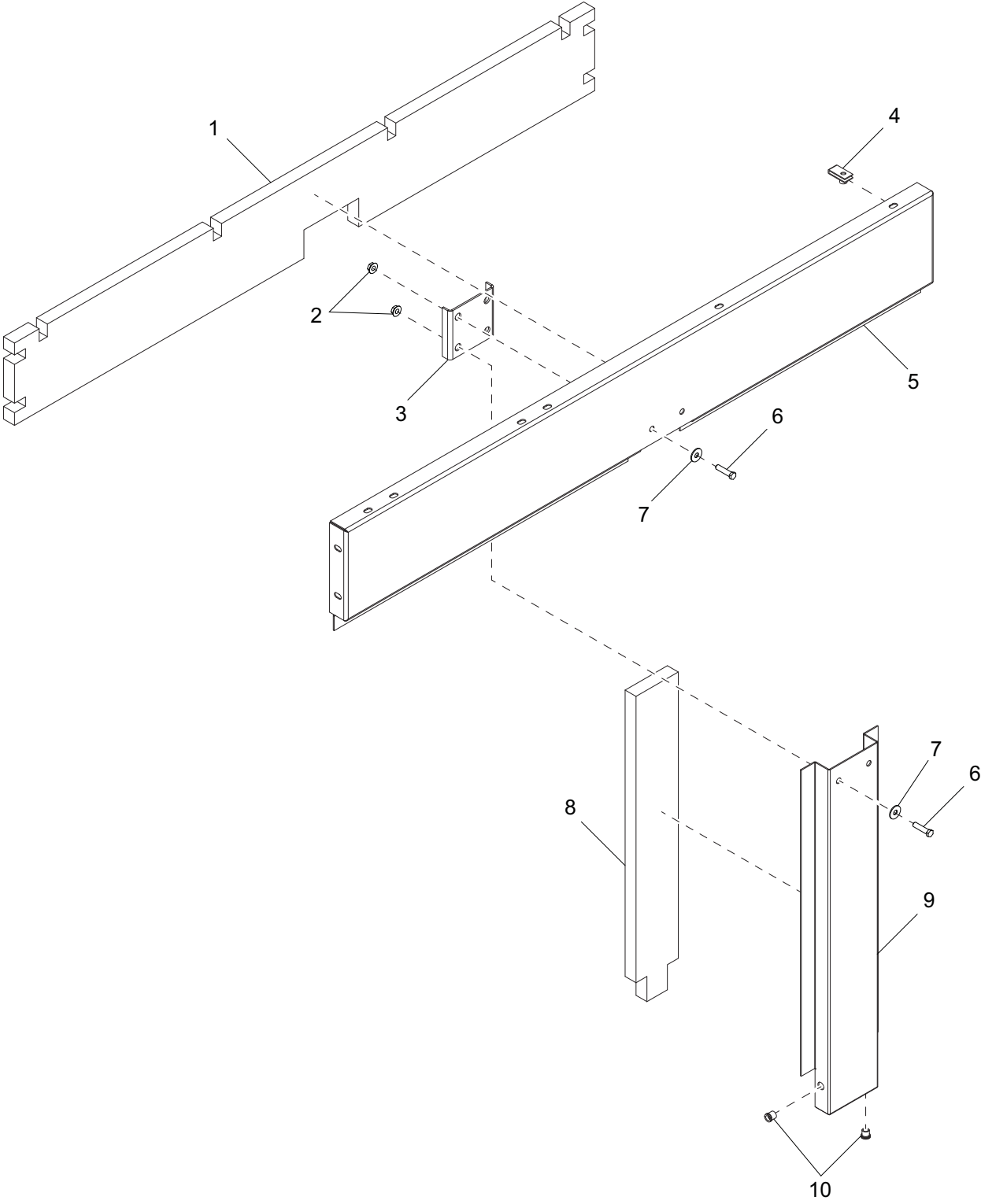
RIGHT FRONT CORNER ASSEMBLY



RIGHT FRONT CORNER ASSEMBLY

ITEM	PART NO.	QTY	DESCRIPTION	NOTES
1	20932	1	Foam, corner common	
2	61066	4	Screw, .312-18x1.0 carr sqr, SS	
3	18460	2	Hinge, left (female)	
4	22781W	1	Panel, right front corner	
5	60505	6	Nut, .312-18 U-clip - long type	
6	60095	4	Nut, .312-18 sflg	
7	22827	1	Foam, front corner	
--	22794	1	Assembly, right front corner	Items 1 - 7

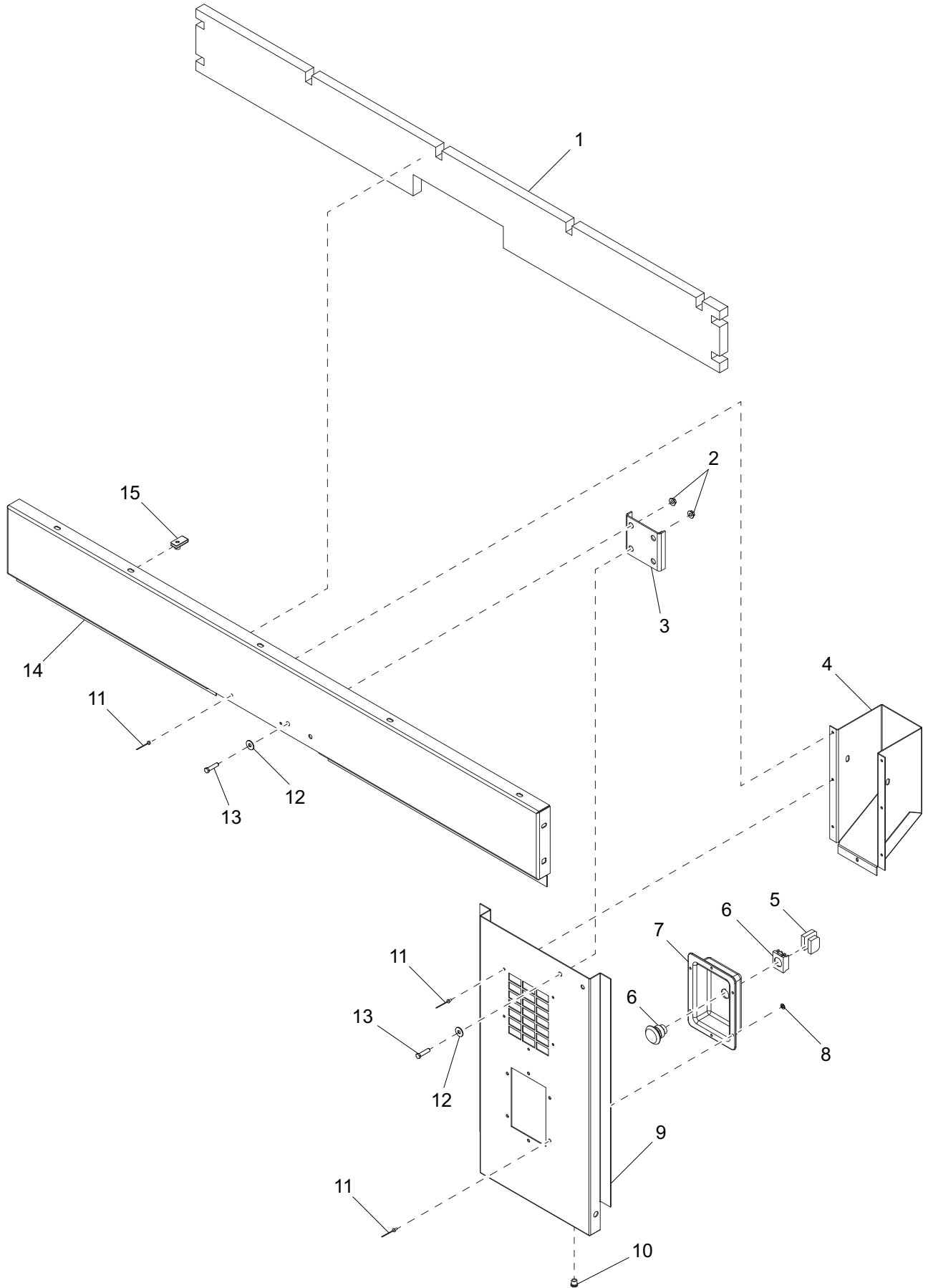
LEFT CENTER PANEL ASSEMBLY



LEFT CENTER PANEL ASSEMBLY

ITEM	PART NO.	QTY	DESCRIPTION	NOTES
1	20926	1	Foam, top side - left	
2	60095	4	Nut, .312-18 sflg	
3	20906W	1	Bracket, side stiffener	
4	60505	2	Nut, .312-18 U-clip - long type	
5	33821W	1	Panel, top side - left	
6	60507	4	Screw, .312-18x1.0 std hex, SS	
7	60452	4	Washer, .313 flat 1.125/1.0 bonded rubber, SS	
8	20929	1	Foam, center side	
9	20896W	1	Panel, center side	
10	62133	4	Insert, threaded .312-18 splined .027-.150 grip	

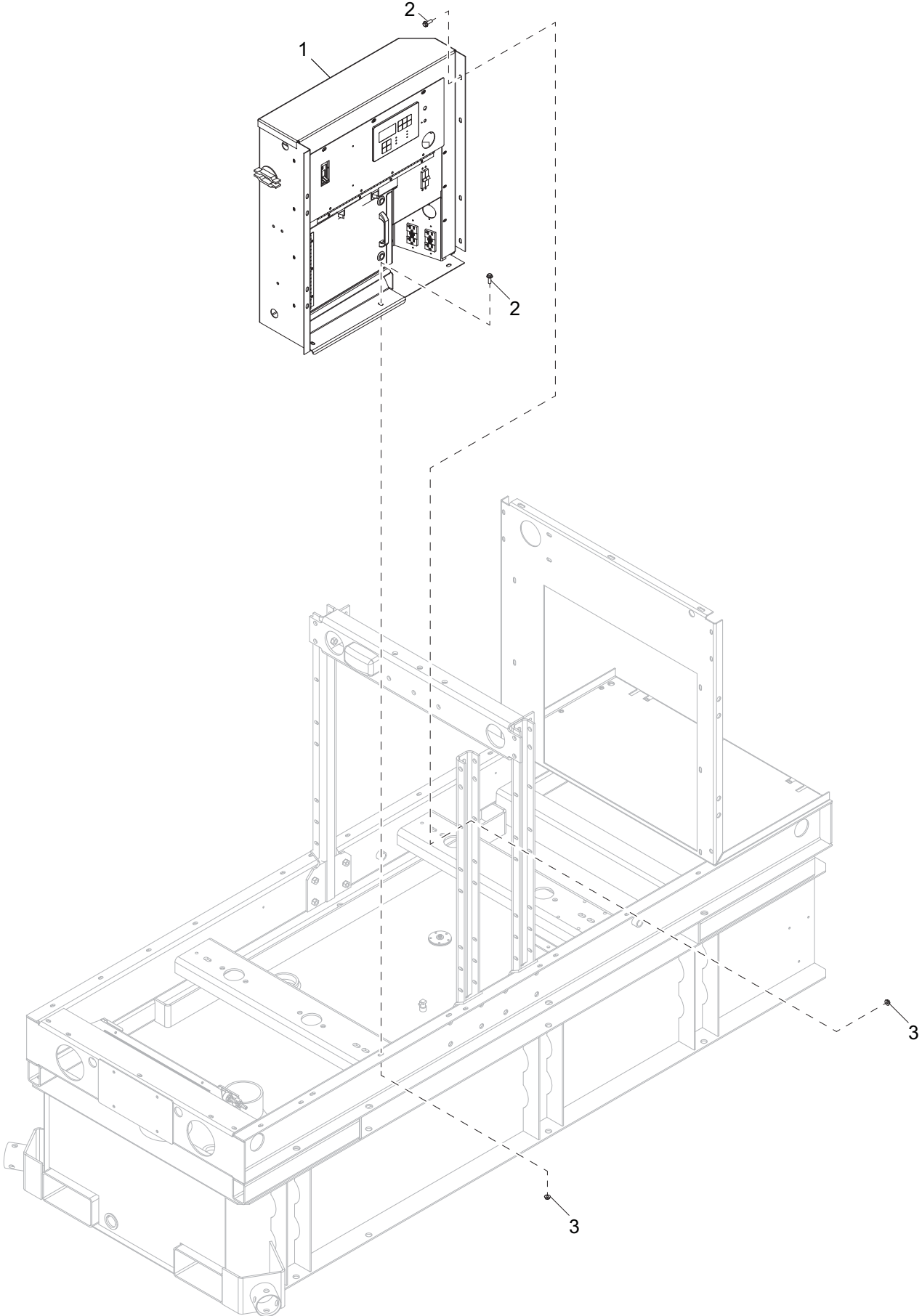
RIGHT CENTER PANEL ASSEMBLY



RIGHT CENTER PANEL ASSEMBLY

ITEM	PART NO.	QTY	DESCRIPTION	NOTES
1	33871	1	Foam, top side - right	
2	60095	4	Nut, .312-18 sflg	
3	20906W	1	Bracket, side stiffener	
4	34093W	1	Duct, side air	
5	65584	1	Block, emergency stop contactor - NO/NO	
6	65470	1	Switch, emergency stop operator	
7	30645	1	Panel, emergency stop	
8	60041	6	Washer, M5 flat	
9	34089W	1	Panel, center side	
10	62133	3	Insert, threaded .312-18 splined .027-.150 grip	
11	60260	13	Rivet, .188 dia. x .375 to .500 grip, SS	
12	60452	4	Washer, .313 flat 1.125/1.0 bonded rubber, SS	
13	60507	4	Screw, .312-18x1.0 std hex, SS	
14	34088W	1	Panel, top side	
15	60505	5	Nut, .312-18 U-clip - long type	

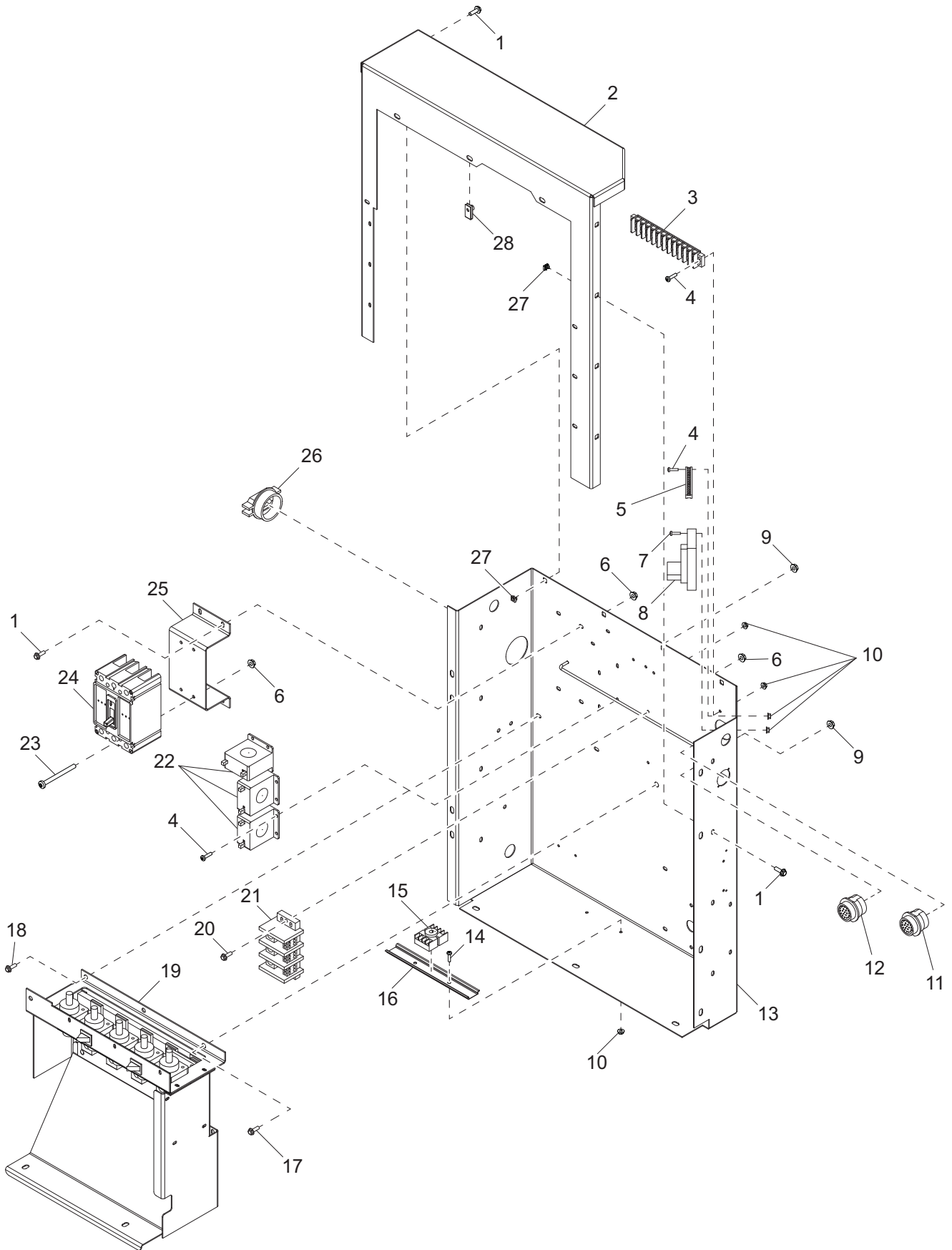
CONTROL BOX TO UNIT ASSEMBLY



CONTROL BOX TO UNIT ASSEMBLY

ITEM	PART NO.	QTY	DESCRIPTION	NOTES
1	Page 48	1	Assembly, control box	
2	60616	7	Screw, .312-18x.750 sflg hex, G5	
3	60095	7	Nut, .312-18 sflg	
--	27935	1	Harness, remote communication	

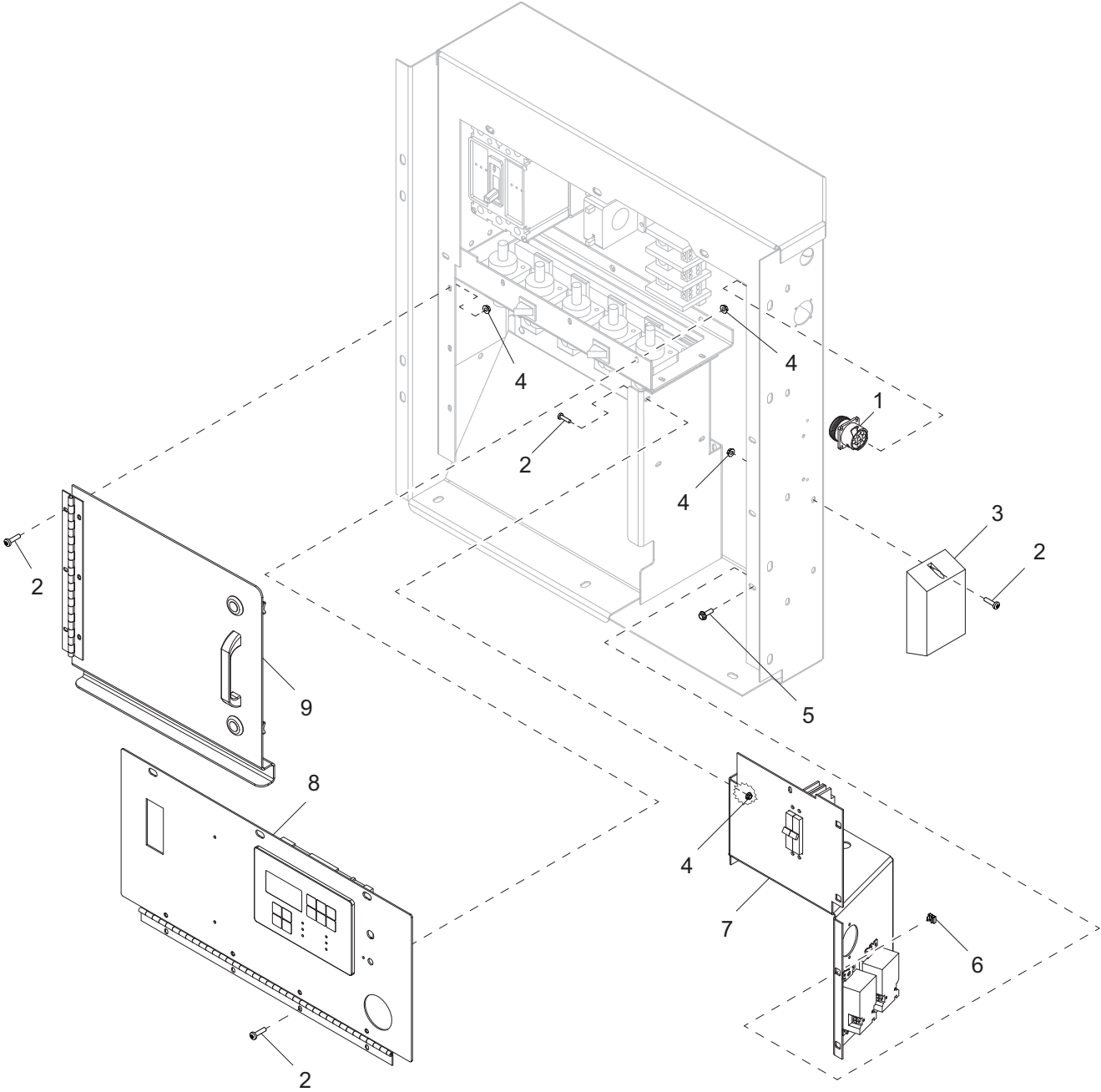
CONTROL BOX ASSEMBLY (1 OF 2)



CONTROL BOX ASSEMBLY (1 OF 2)

ITEM	PART NO.	QTY	DESCRIPTION	NOTES
1	60175	16	Screw, .250-20x.500 sflg hex, G5	
2	27826W	1	Panel, control box cover	
3	14203	1	Block, terminal - 10 pos	
4	60062	10	Screw, 10-32x.750 pan phil, G2	
5	14204	1	Kit, ground bar	
6	60161	6	Nut, .250-20 sflg, G5	
7	60397	2	Screw, 10-32x1.0 pan phil, G2	
8	36665	1	Regulator, voltage - PM300	
9	60145	3	Nut, .375-16 sflg	
10	61045	12	Nut, 10-32 sflg	
11	28704	1	Connector, Deutsch - 31 pos. receptacle	
12	65309	1	Connector, Deutsch - 21 pos. receptacle	
13	30540B	1	Weldment, control box	
14	60398	2	Screw, 10-32x.500 pan phil, SS	
15	65644	1	Base, relay - 8 pos	
16	66003	1	Rail, din - 35mm x 6.0 in	
17	60487	1	Screw, .375-16x1.50 sflg hex, G5	
18	60451	2	Screw, .375-16x.625 flg hex	
19	Page 54	1	Assembly, lug box	
20	60479	2	Screw, .250-20x1.0 sflg hex, G5	
21	65356	1	Block, terminal - 3 pole, Bussman	
22	65685	3	Transformer, current - terminals (200:5A)	
23	60143	4	Screw, .250-20x2.0 pan phil, G5	
24	65685	1	Breaker, 225A	
25	27890B	1	Bracket, breaker	
26	65788	1	Strain relief - 2.0 Romex w/nut	
27	15424	12	Nut, .250-20 cage, G5	
28	61143	3	Nut, .250-20 U-clip - short type	
--	65416	2	Nut, Deutsch HDP series	
--	65417	2	Washer, lock Deutsch HDP series	

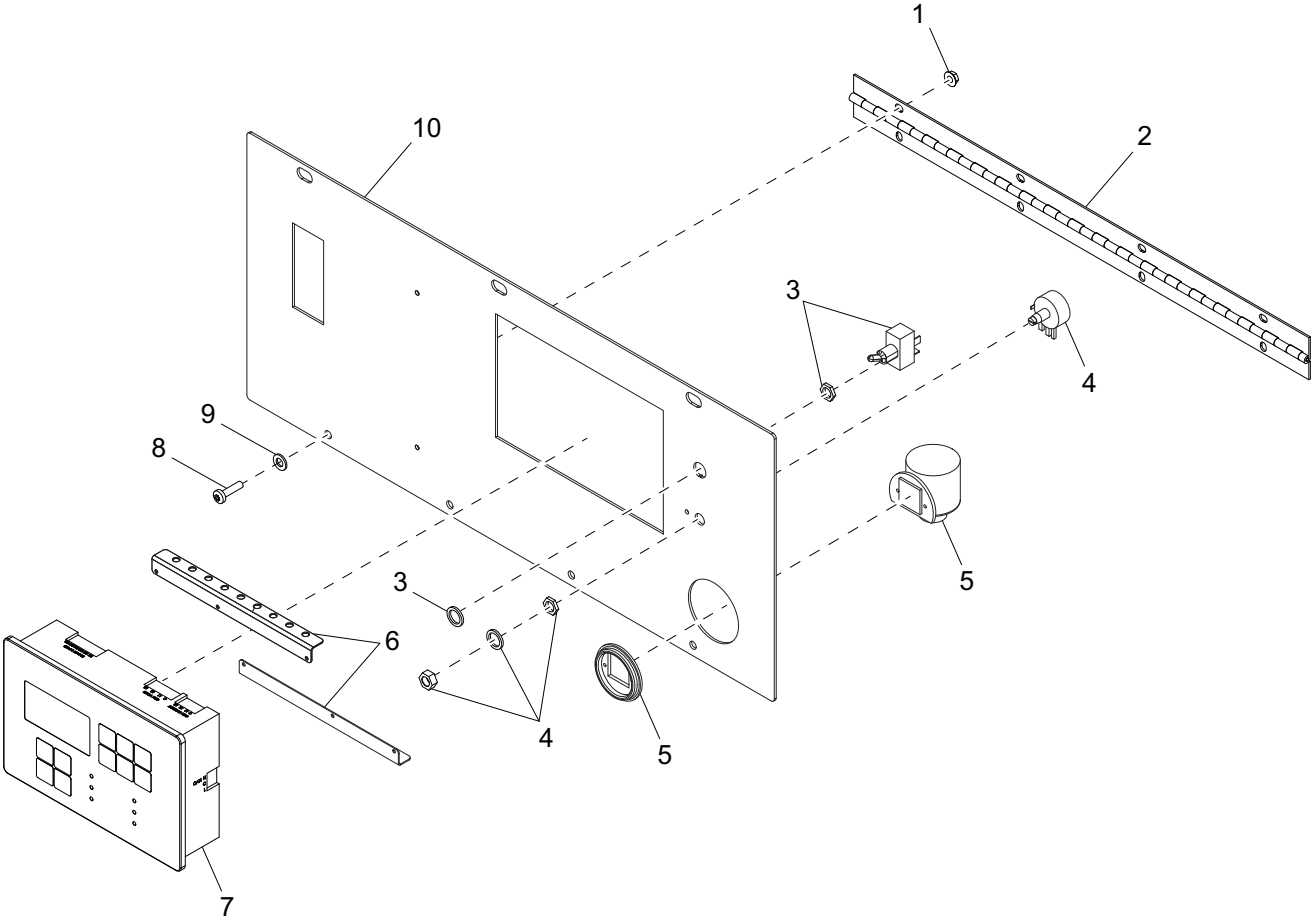
CONTROL BOX ASSEMBLY (2 OF 2)



CONTROL BOX ASSEMBLY (2 OF 2)

ITEM	PART NO.	QTY	DESCRIPTION	NOTES
1	66490	1	Connector, Deutsch - 12 pos. receptacle flange	
2	60398	12	Screw, 10-32x.500 pan phil, SS	
3	65326	1	Battery charger - 2A, 3 stage	
4	61045	12	Nut, 10-32 sflg	
5	60175	3	Screw, .250-20x.500 sflg hex, G5	
6	15424	3	Nut, .250-20 cage, G5	
7	Page 58	1	Assembly, outlet panel	
8	Page 52	1	Assembly, control panel	
9	Page 56	1	Assembly, lug box door	
--	67869	1	Wire group - control box	
--	33661	1	Wire group - AC	

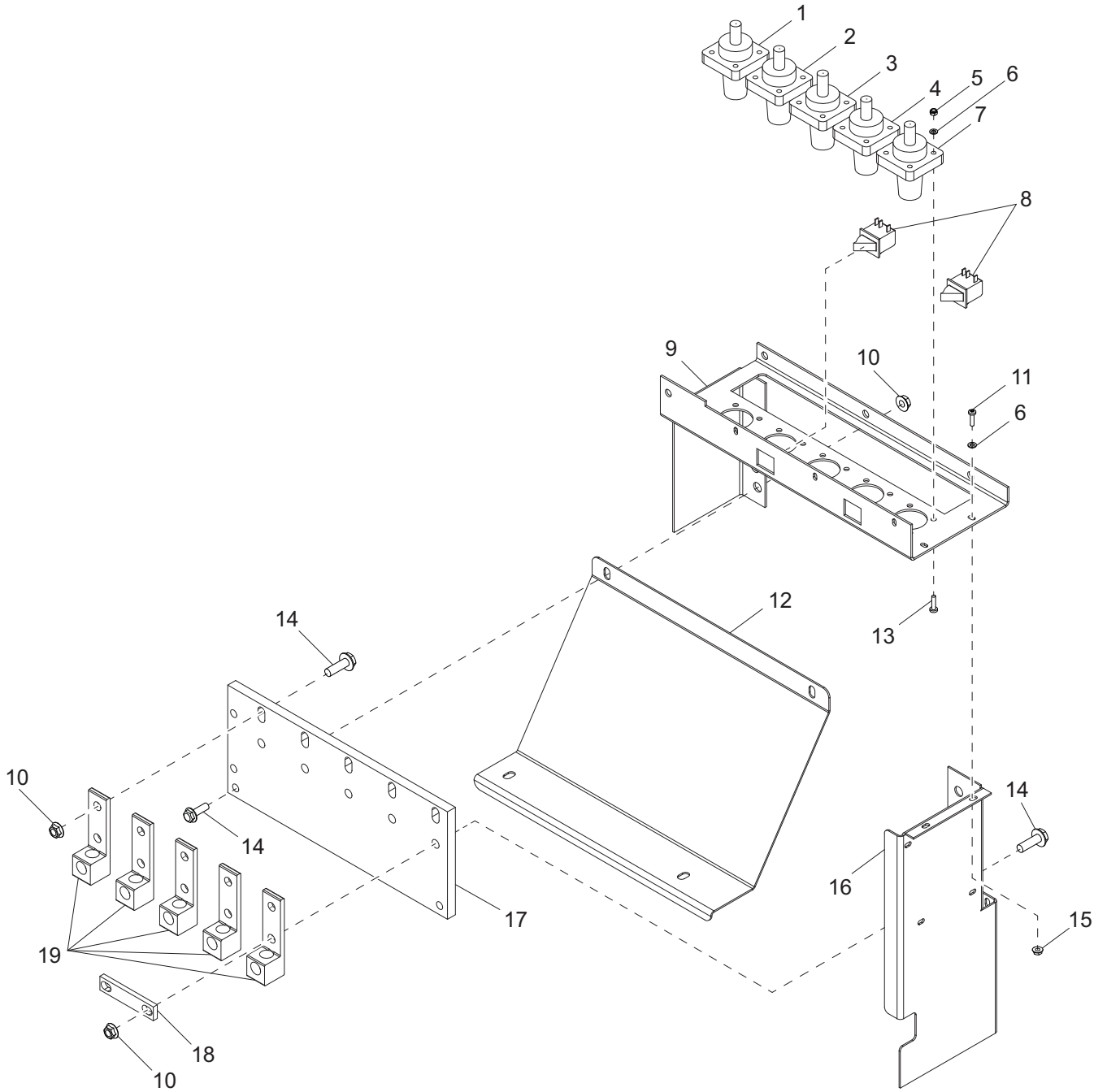
CONTROL PANEL ASSEMBLY



CONTROL PANEL ASSEMBLY

ITEM	PART NO.	QTY	DESCRIPTION	NOTES
1	61045	4	Nut, 10-32 sflg	
2	18598	1	Hinge, controller panel - 18.75	
3	25077	1	Switch, toggle - SPST, 20A VAC	
4	18113	1	Potentiometer - 2.5k, 2W	
5	18609	1	Kit, filter minder gauge	
6	29893	2	Bracket, control board wire guide	
7	67107	1	Controller, eng/gen - programmed	
8	60398	4	Screw, 10-32x.500 pan phil, SS	
9	63219	4	Washer, #10 nylon	
10	30499W	1	Panel, control	
--	27994	1	Board, PCB 4-15A SPDT relays	
--	18934	1	Decal, potentiometer guard	

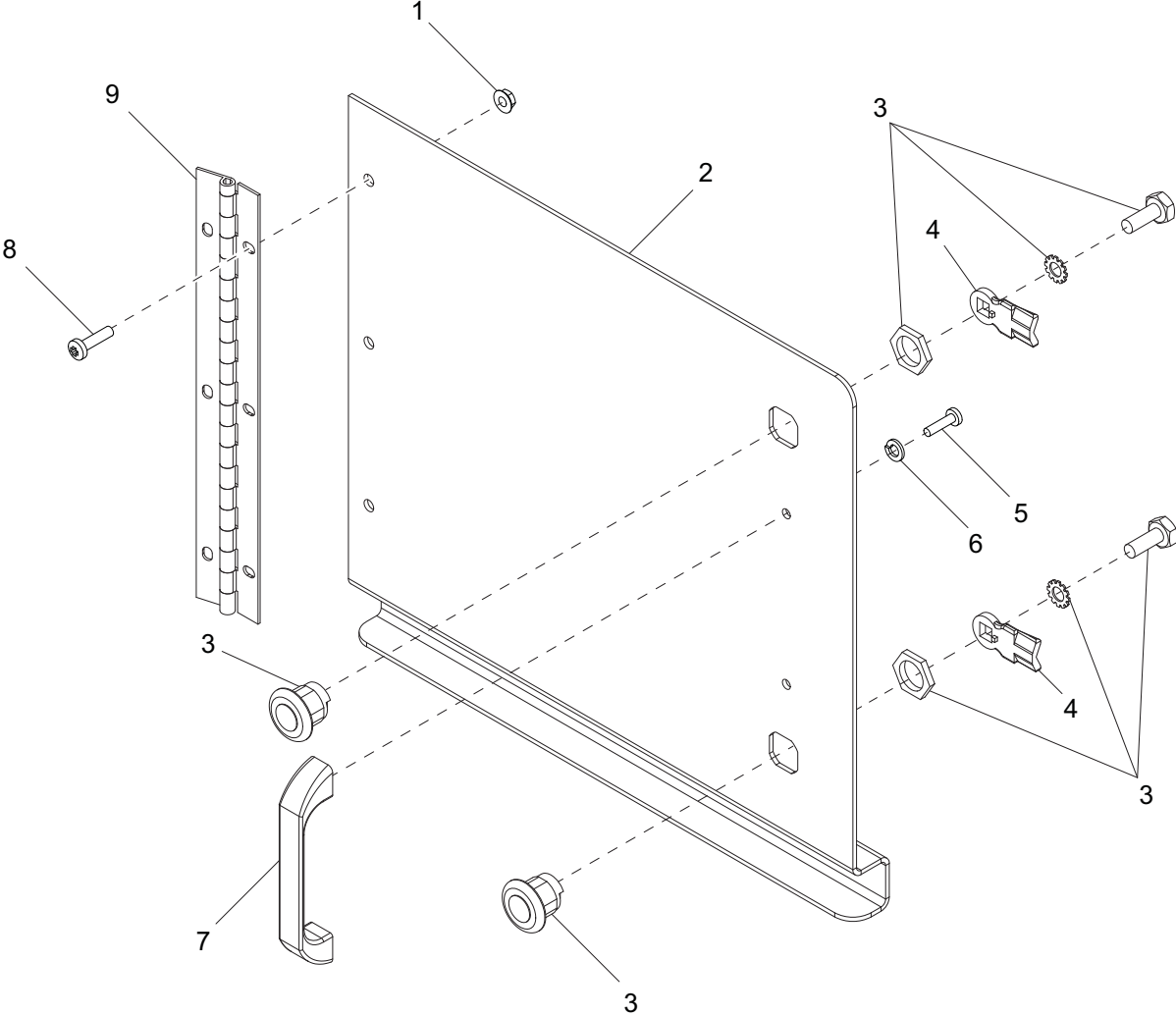
LUG BOX ASSEMBLY



LUG BOX ASSEMBLY

ITEM	PART NO.	QTY	DESCRIPTION	NOTES
1	65551	1	Connector, cam lock flange, female, 400A, black	
2	65553	1	Connector, cam lock flange, female, 400A, blue	
3	65552	1	Connector, cam lock flange, female, 400A, red	
4	66040	1	Connector, cam lock flange, female, 400A, white	
5	60061	20	Nut, 10-32 nylock	
6	60237	22	Washer, #10 flat .495/.036	
7	66041	1	Connector, cam lock flange, female, 400A, green	
8	12632	2	Switch, trigger safety - NO & NC	
9	27825B	1	Panel, lug box - top	
10	60145	14	Nut, .375-16 sflg, G5	
11	60062	2	Screw, 10-32x.750 pan phil, G2	
12	27866B	1	Panel, lug box outlet	
13	60397	20	Screw, 10-32x1.0 pan phil, G2	
14	60487	14	Screw, .375-16x1.50 sflg hex, G5	
15	61045	2	Nut, 10-32 sflg	
16	27864B	1	Panel, lug box - side	
17	27828	1	Panel, lug box glastic	
18	24820	1	Bus, ground to board	
19	65677	5	Lug, terminal - single, 2 hole	

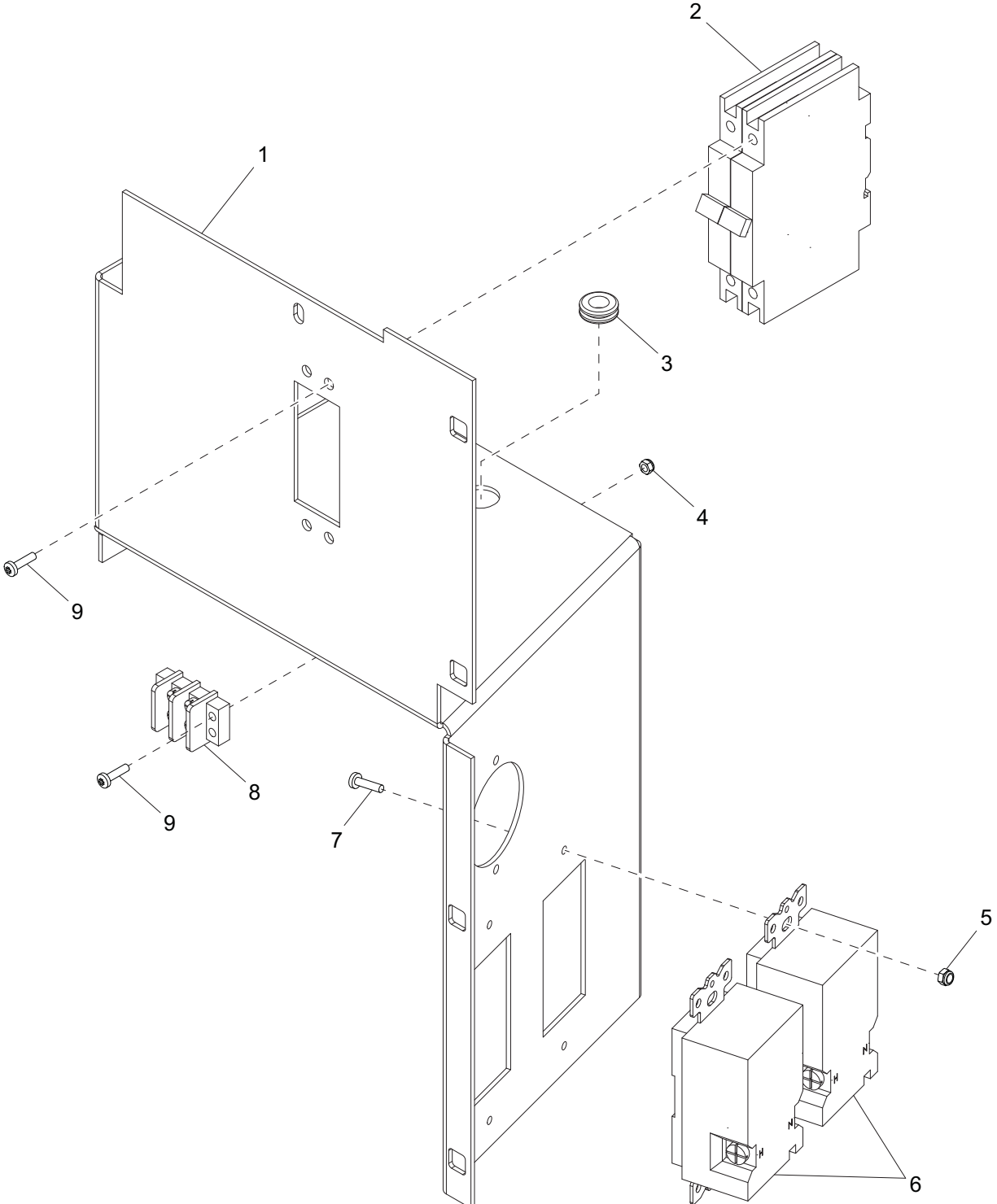
LUG BOX DOOR ASSEMBLY



LUG BOX DOOR ASSEMBLY

ITEM	PART NO.	QTY	DESCRIPTION	NOTES
1	61045	3	Nut, 10-32 sflg	
2	28570W	1	Panel, lug box door	
3	20762	2	Lock, door - 1/4 turn cam	
4	12550	2	Cam lock lever leg	
5	60068	2	Screw, 10-24x.500 pan phil, G2	
6	60252	2	Washer, #10 split lock	
7	18893	1	Handle, lug box door	
8	60398	3	Screw, 10-32x.500 pan phil, SS	
9	22018	1	Hingle, continuous - 10.25	

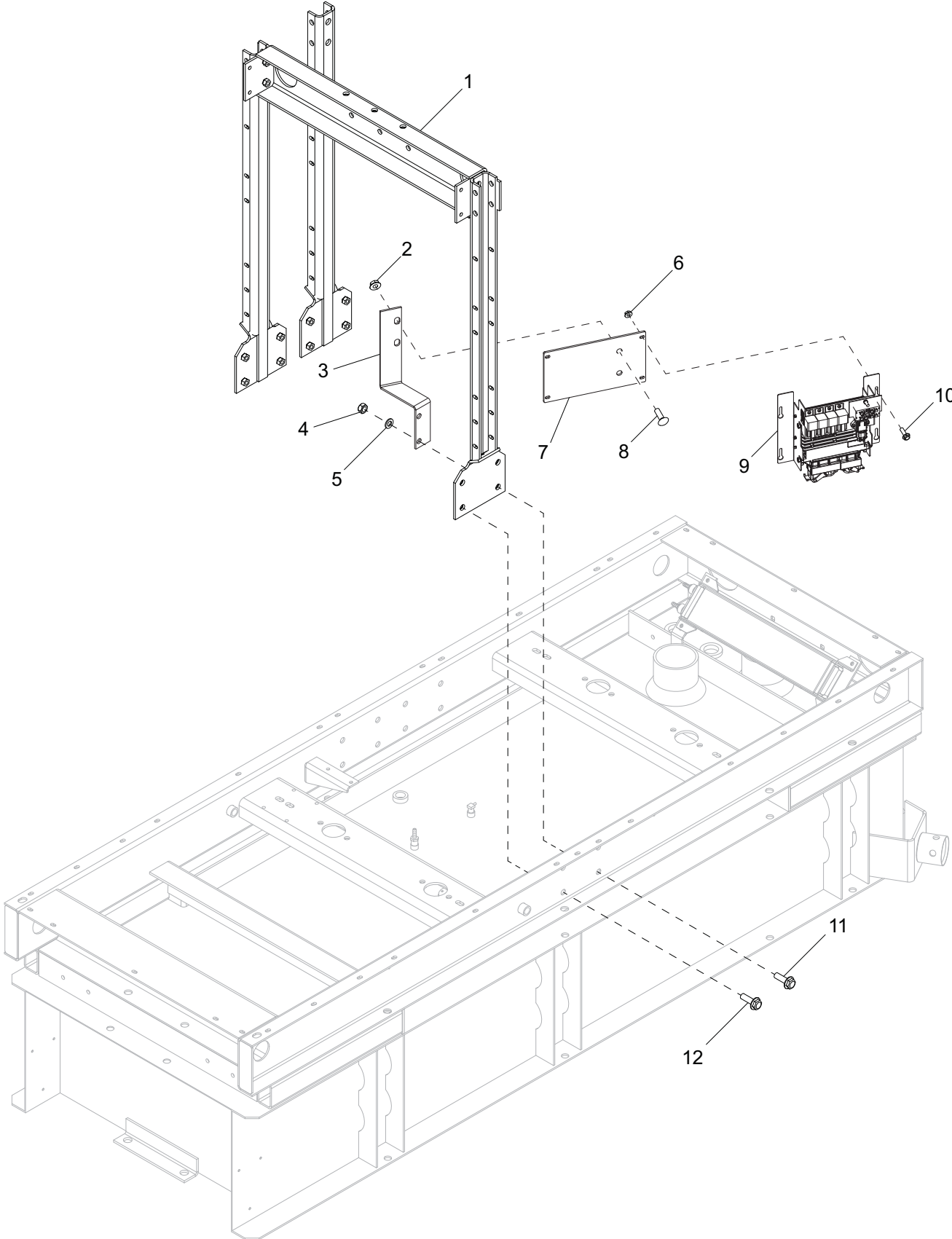
OUTLET PANEL ASSEMBLY



OUTLET PANEL ASSEMBLY

ITEM	PART NO.	QTY	DESCRIPTION	NOTES
1	29549B	1	Panel, outlet	
2	18091	2	Breaker, 20A, 240V, 1-pole	
3	30644	1	Bush, hole reducer - .65 to .44	
4	60728	2	Nut, 6-32 nylock, G5	
5	60457	4	Nut, 10-24 nylock, G2	
6	14130	2	Receptacle, 120V/20A GFI	
7	60068	4	Screw, 10-24x.500 pan phi, G2	
8	18890	1	Block, terminal - 2 pos	
9	60046	6	Screw, 6-32x.750 pan phil, G2	
--	21489	1	Switch, battery disconnect - 500A	
--	27517	1	Cable, battery - 22 in., 2/0 black, 1/2 in. lug	
--	65285	1	Receptacle, 120V/15A inlet (Edison) flange	

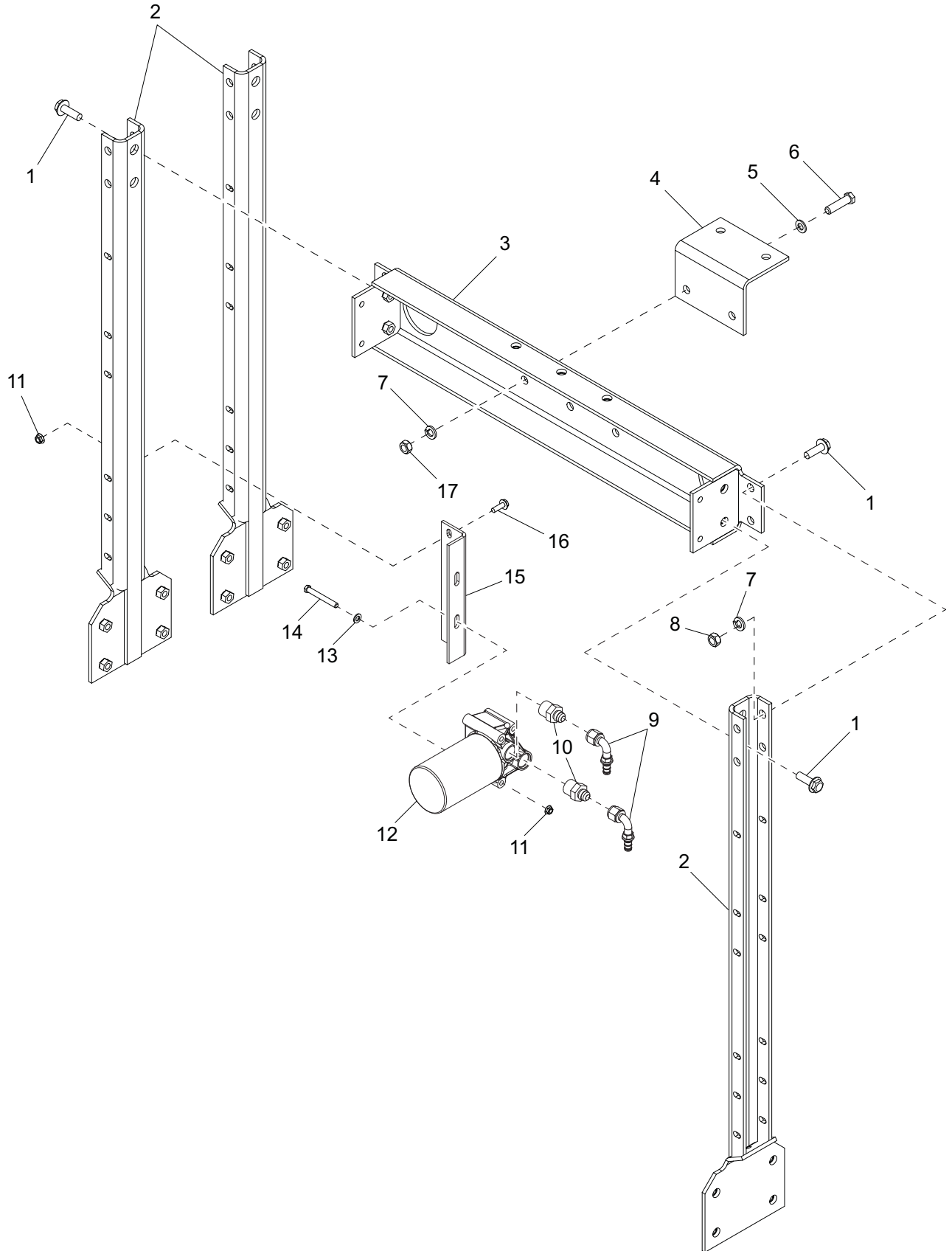
LIFT STRUCTURE TO SKID ASSEMBLY



LIFT STRUCTURE TO SKID ASSEMBLY

ITEM	PART NO.	QTY	DESCRIPTION	NOTES
1	Page 62	1	Assembly, lift structure	
2	60145	2	Nut, .375-16 sflg, G5	
3	33907B	1	Bracket, ECM mounting	
4	60013	2	Nut, M12-1.75 hex, class 10	
5	60012	2	Washer, M12 flat	
6	60036	4	Nut, M6-1.0 sflg, G8.8	
7	33898B	1	Plate, ECM mounting	
8	60658	2	Screw, .375-16x1.0 carr sqr, G5	
9	33766	1	Harness, engine & ECM	ECM included with harness
10	60115	4	Screw, M6-1.0x12 sflg hex, G8.8	
11	60065	2	Screw, M12-1.75x40 sflg hex, G10.8	
12	60202	10	Screw, M12-1.75x35 sflg hex, G10.9	
--	60115	4	Screw, M6-1.0x12 sflg hex, G8.8	Used to attach ECM to engine harness

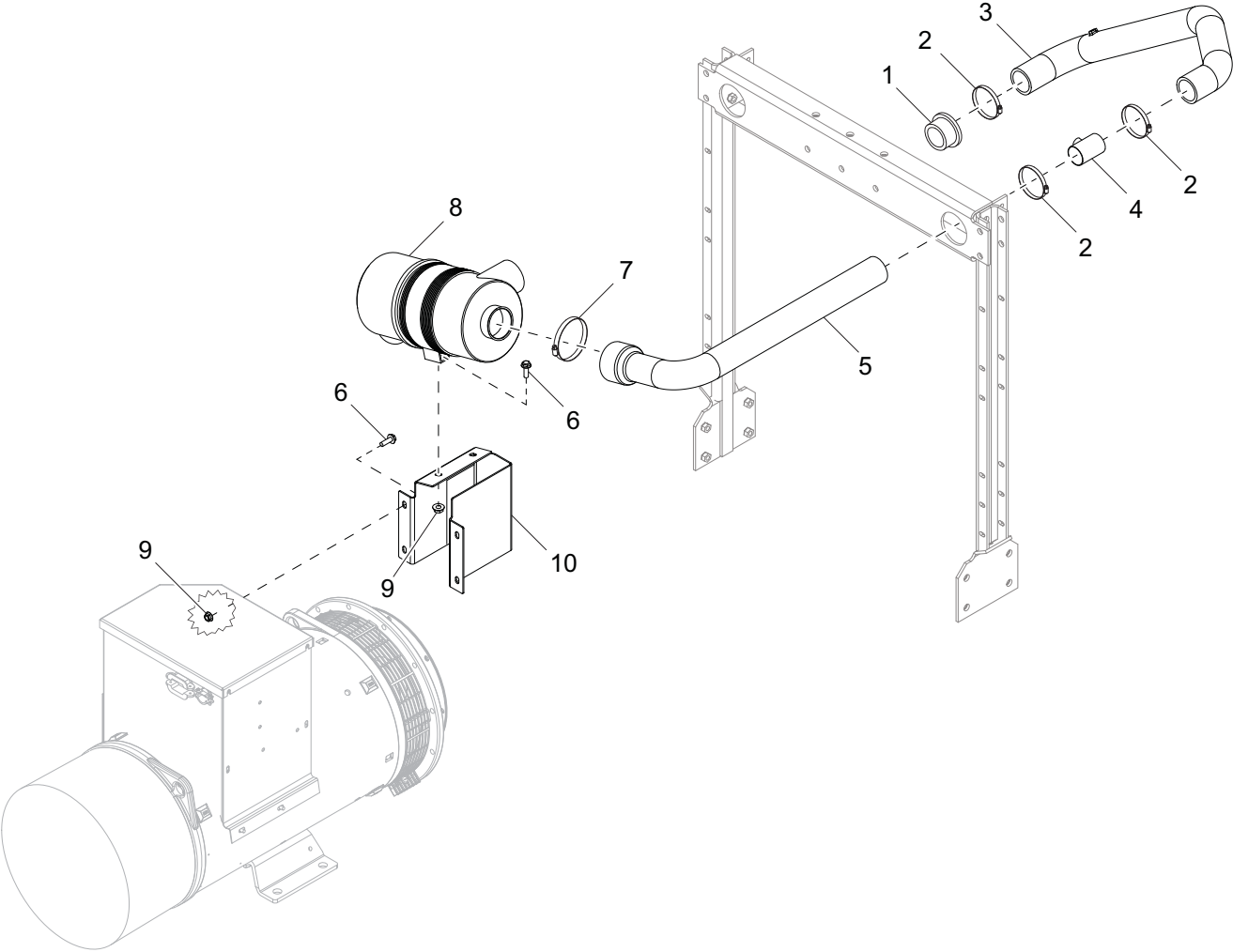
LIFT STRUCTURE ASSEMBLY



LIFT STRUCTURE ASSEMBLY

ITEM	PART NO.	QTY	DESCRIPTION	NOTES
1	60202	8	Screw, M12-1.75x.35 sflg hex, G10.9	
2	22924B	3	Weldment, lift support	
3	22925B	1	Weldment, lift channel - top	
4	22945B	1	Weldment, lifting eye bracket	
5	60012	2	Washer, M12 flat	
6	61101	2	Screw, .500x13x1.50 std hex, G8	
7	60204	6	Washer, .500 split lock	
8	60013	4	Nut, M12-1.75 hex, class 10	
9	62205	2	Fitting, 90° - .750-16 JIC push-lok	
10	61035	2	Fitting, strt - .750MNPTx.750-14 JIC	
11	60095	4	Nut, .312-18 sflg	
12	33765	1	Filter, oil	
13	60243	2	Washer, .250 flat .735/.060	
14	60404	2	Screw, .312-18x4.0 std hex, G5	
15	33845B	1	Bracket, oil filter	
16	60616	2	Screw, .312-18x.750 sflg hex, G5	
17	61093	2	Nut, .500-13 hex, G8	
--	36367	1	Sensor, barometric pressure	
--	50550	1.67 ft	Hose, .500 ID, 300 psi	Used for item 12
--	50550	1.75 ft	Hose, .500 ID, 300 psi	Used for item 12

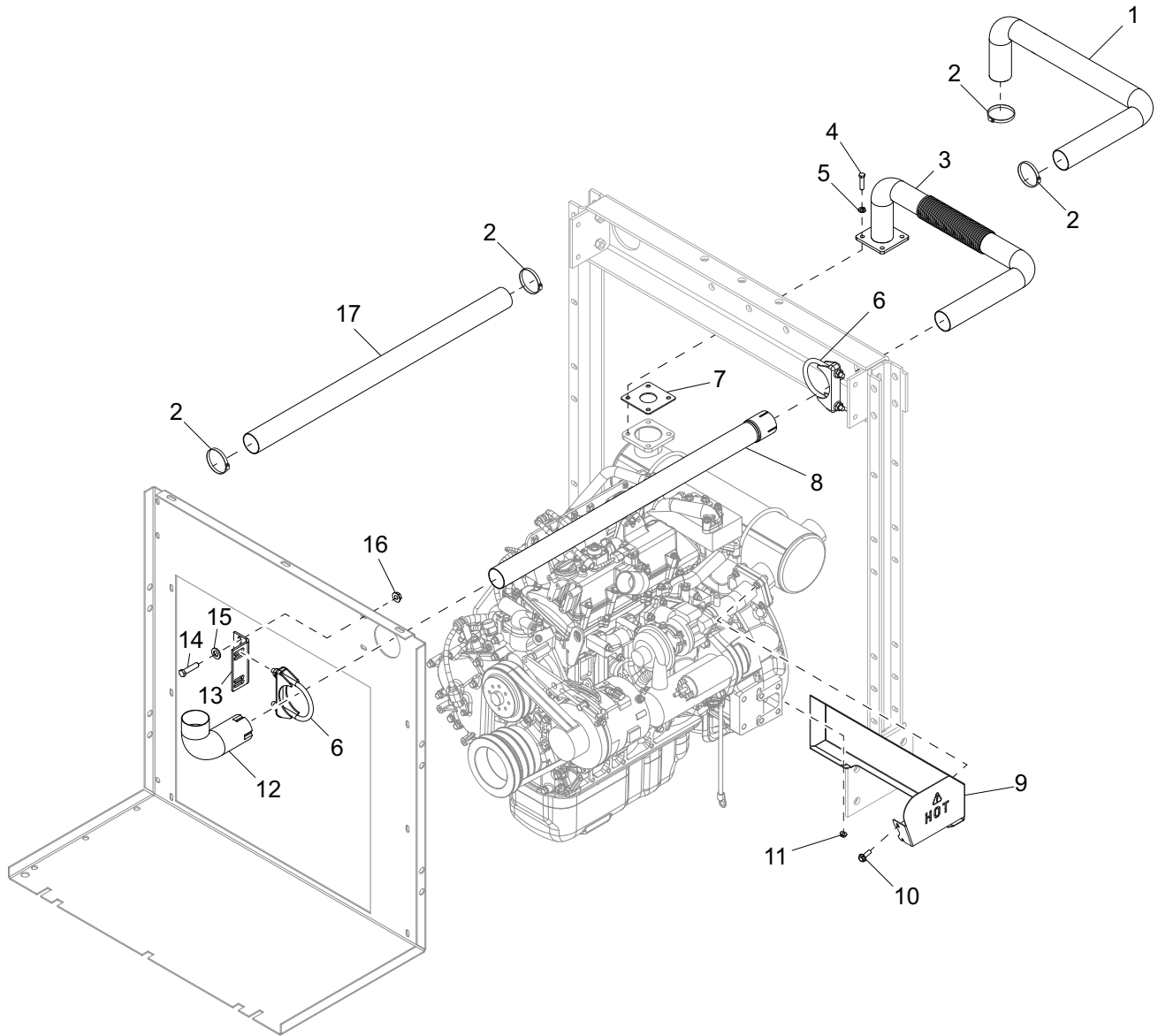
AIR FILTER ASSEMBLY



AIR FILTER ASSEMBLY

ITEM	PART NO.	QTY	DESCRIPTION	NOTES
1	33782	1	Insert, hose reducer (1.50-2.0)	
2	60316	3	Clamp, hose - SAE032 (1.56-2.50)	
3	33693	1	Hose, air intake - engine inlet	
4	33914B	1	Weldment, air intake pipe	
5	33788	1	Hose, air intake - filter outlet	
6	60616	6	Screw, .312-18x.750 sflg hex, G5	
7	18663	1	Clamp, hose - SAE 060 (3.31-4.25)	
8	22967	1	Filter, air	
9	60095	6	Nut, .312-18 sflg	
10	33691B	1	Bracket, air filter	
--	63277	1	Clamp, tubing - 2.75 lt duty	
--	60397	1	Screw, 10-32x1.0 pan phil, G2	
--	61045	1	Nut, 10.32 sflg	
--	36368	1	Sensor, air temperature	
--	23146	2	Fitting, 90° - .250MNPTx.375FNPT, brass	Attached to items 3 & 5
--	25931	1	Fitting, strt - .375NPTx.625 barb	Attached to item 3
--	18823	1	Clamp, muffler - 2.0	
--	60358	2	Nut, .375-16 nylock	Used to attach clamp 18823
--	50201	1.83 ft	Hose, .625, 200 psi, class A	
--	66658	1.83 ft	Loom, wire - 1.06 ID	
--	60365	2	Clamp, hose - SAE 010 (.56-1.06)	Used on hose 50201
--	22874	1	Element, air filter	

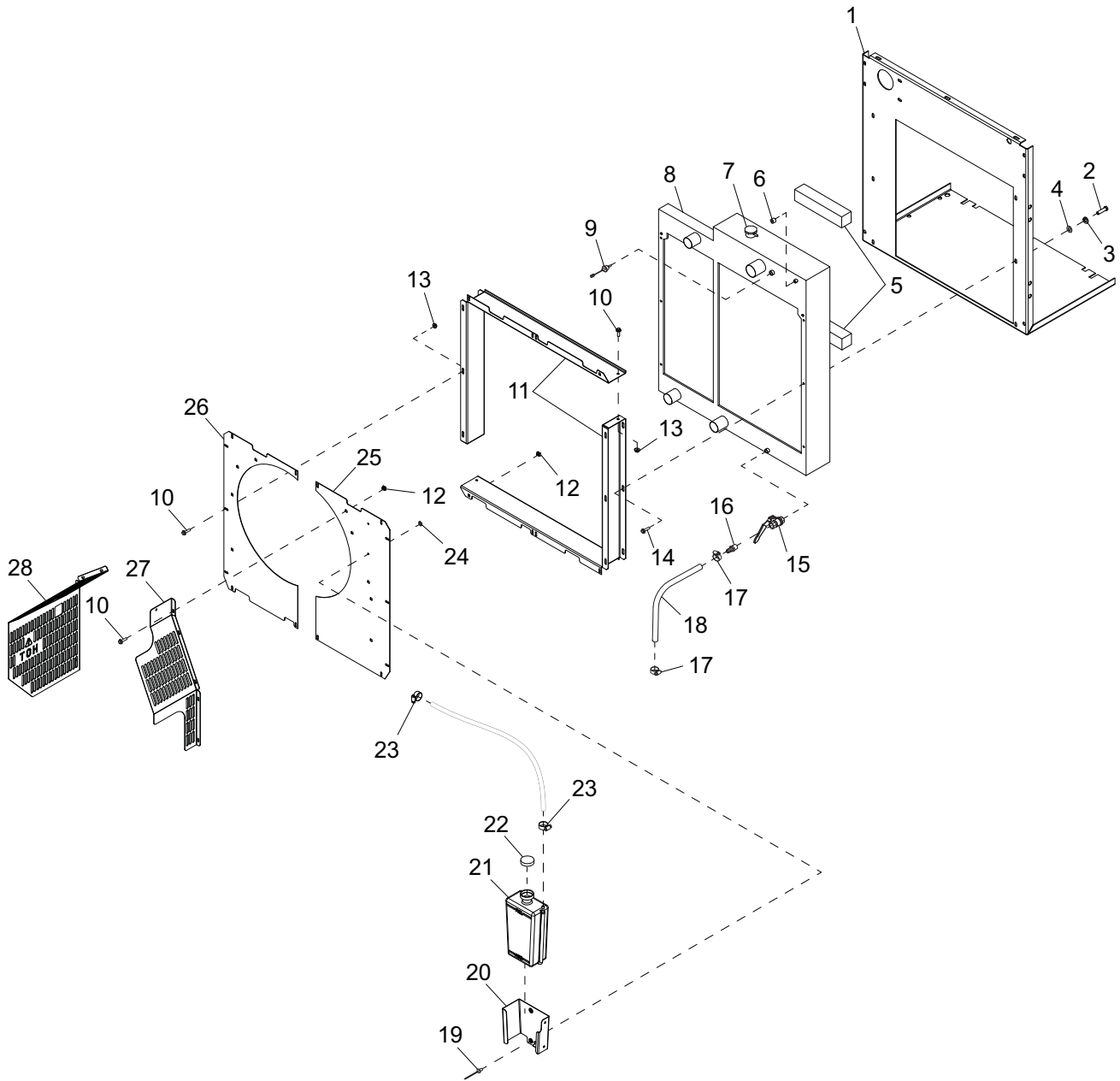
EXHAUST SYSTEM ASSEMBLY



EXHAUST SYSTEM ASSEMBLY

ITEM	PART NO.	QTY	DESCRIPTION	NOTES
1	25479	3.33 ft	Sleeve, high temperature - 3.0	
2	60316	4	Clamp, hose - SAE 032 (1.56-2.50)	
3	33652	1	Pipe, exhaust - filter out	
4	61204	4	Screw, M8-1.25x20 std hex, G10.9	
5	60029	4	Washer, M8 split lock	
6	18823	2	Clamp, muffler - 2.0	
7	36378	1	Plate, exhaust restriction	
8	33795	1	Pipe, exhaust - bulkhead long	
9	33752B	1	Panel, doc heat shield	
10	60160	2	Screw, M8-1.25x30 sflg hex, G8.8	
11	60020	2	Nut, M8-1.25 sflg, G8.8	
12	33796	1	Pipe, exhaust - bulkhead mixer	
13	26721B	1	Bracket, muffler support	
14	60507	2	Screw, .312-18x1.0 std hex, SS	
15	60340	2	Washer, .312-18 flat .875/.040, SS	
16	60095	2	Nut, .312-18 sflg	
17	26479	2.92 ft	Sleeve, high temperature - 3.0	
--	33651	1	Assembly, exhaust system	Items 1 - 17

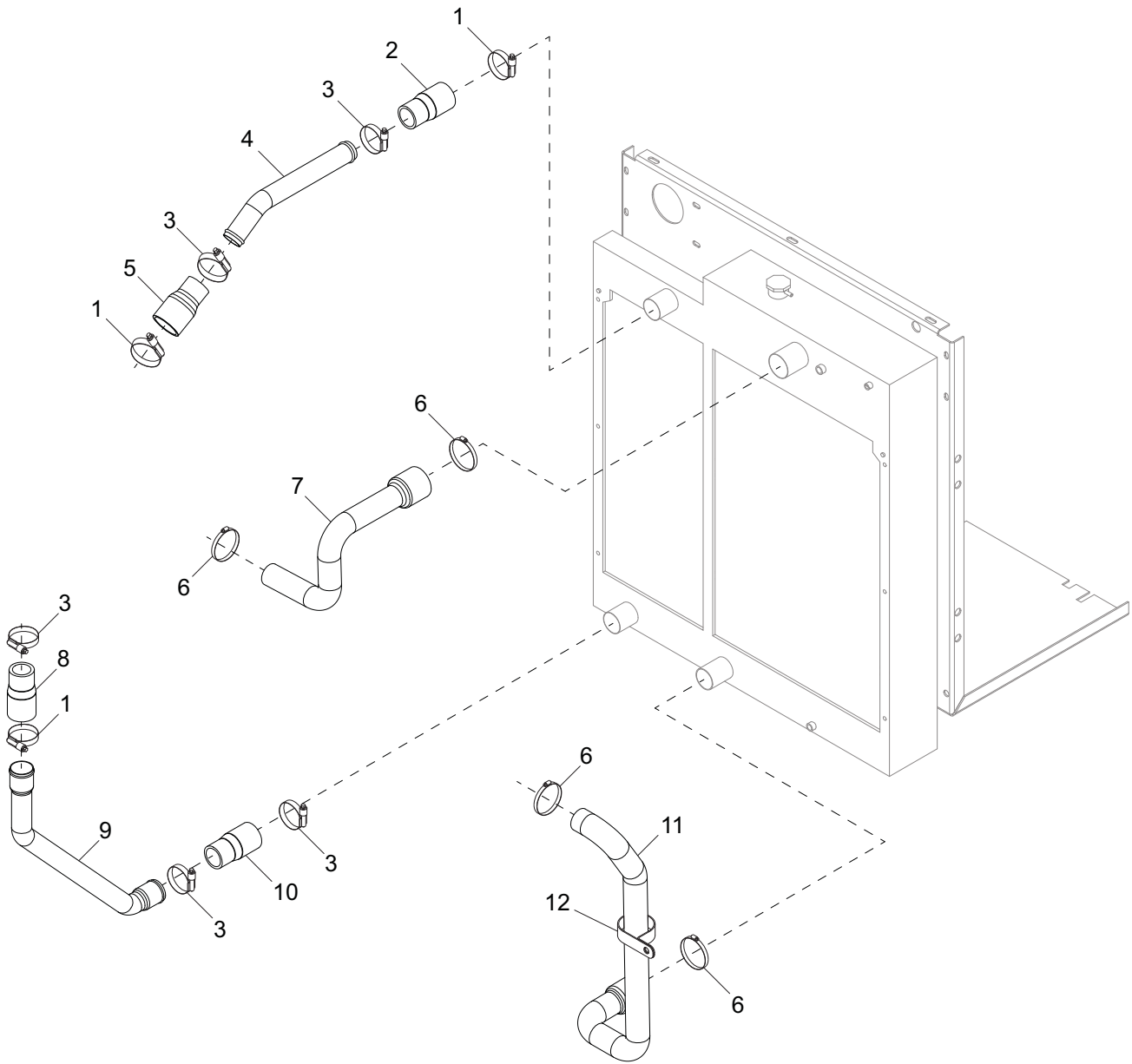
COOLING SYSTEM ASSEMBLY



COOLING SYSTEM ASSEMBLY

ITEM	PART NO.	QTY	DESCRIPTION	NOTES
1	33685B	1	Panel, bulkhead	
2	60687	6	Screw, .312-18x.750 std hex, SS	
3	60701	6	Washer, .312 split lock, SS	
4	60340	6	Washer, .312 flat .875/.040, SS	
5	26724	2	Foam, CAC sealing - top/bottom	
6	60776	1	Fitting, plug - .250NPT hex, flush mount, brass	
7	19219	1	Cap, radiator pressure - 14.7 psi	
8	27675	1	Radiator	
9	30942	1	Assembly, low coolant switch/harness	
10	60175	25	Screw, .250-20x.500 sflg hex, G5	
11	33678B	2	Shroud, radiator	
12	15424	11	Nut, .250-20 cage, G5	
13	60161	14	Nut, .250-20 sflg, G5	
14	60616	6	Screw, .312-18x.750 sflg hex, G5	
15	62032	1	Valve, ball - .375NPTF, mini	
16	19180	1	Fitting, strt - .375MNPTx.312 barb	
17	14216	2	Clamp, hose - SAE 004 (.21-.62) mini	
18	50018	.85 ft	Hose, fuel - .312 ID, 50 psi, SAE 30R7	
19	60195	2	Rivet, .188 dia. x .375 to .500 grip, large flange	
20	26211B	1	Bracket, overflow jug	
21	24952	1	Jug, overflow - 2.5 qt	
22	19714	1	Cap, overflow jug	
23	63192	2	Clamp, crimping band - .464 in	
24	60067	2	Washer, #10 flat .435/.060, SS	
25	33682B	1	Panel, fan shroud - right	
26	33681B	1	Panel, fan shroud - left	
27	33683B	1	Guard, fan/belt - right	
28	33684B	1	Guard, fan/belt - left	
--	33897B	1	Bracket, fan guard	
--	60616	1	Screw, .312-18x.750 sflg, G5	To attach bracket (33897B)
--	60095	1	Nut, .312-18 sflg	To attach bracket (33897B)
--	60147	1	Screw, .375-16x3.50 std hex, G5	To attach bracket (33897B)
--	60119	1	Washer, .312 flat .875/.070	To attach bracket (33897B)
--	60145	1	Nut, .375-16 sflg, G5	To attach bracket (33897B)

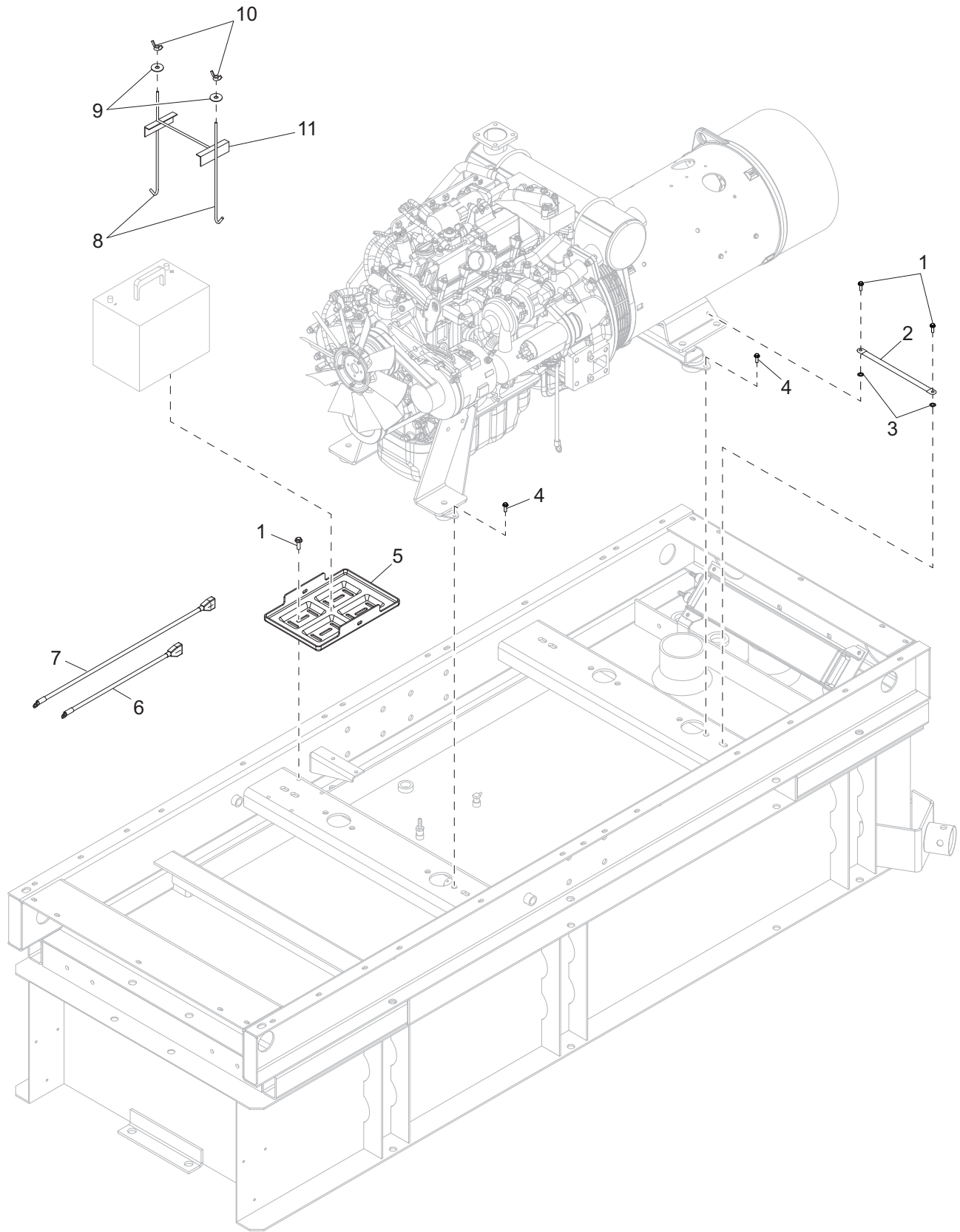
COOLING SYSTEM HOSES



COOLING SYSTEM HOSES

ITEM	PART NO.	QTY	DESCRIPTION	NOTES
1	60660	3	Clamp, hose - const. torque 1.75-2.625	
2	33815	1	Hose, CAC - 1.50x1.75x4.0 long	
3	60663	5	Clamp, hose - const. torque 1.25-2.13	
4	33913	1	Pipe, CAC - out	
5	32848	1	Hose, CAC - 1.50x2.0x4.0 long	
6	60316	4	Clamp, hose - SAE 032 (1.56-2.50)	
7	33679	1	Hose, radiator - upper	
8	33814	1	Hose, CAC - 1.38x1.75x4.0 long	
9	33656	1	Pipe, CAC - in	
10	33912	1	Hose, CAC - 1.75x4.0 long	
11	33680	1	Hose, radiator - lower	
12	62031	1	Clamp, tubing - 2.0 lt duty	

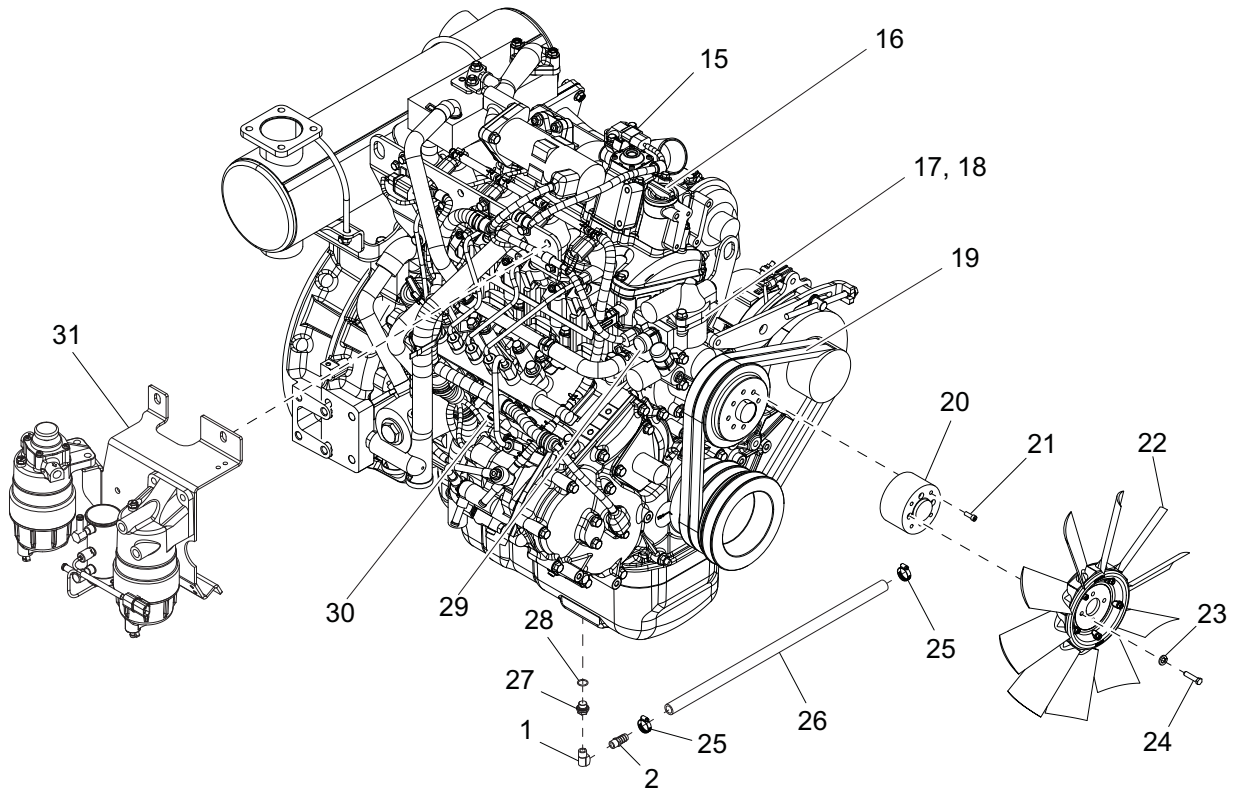
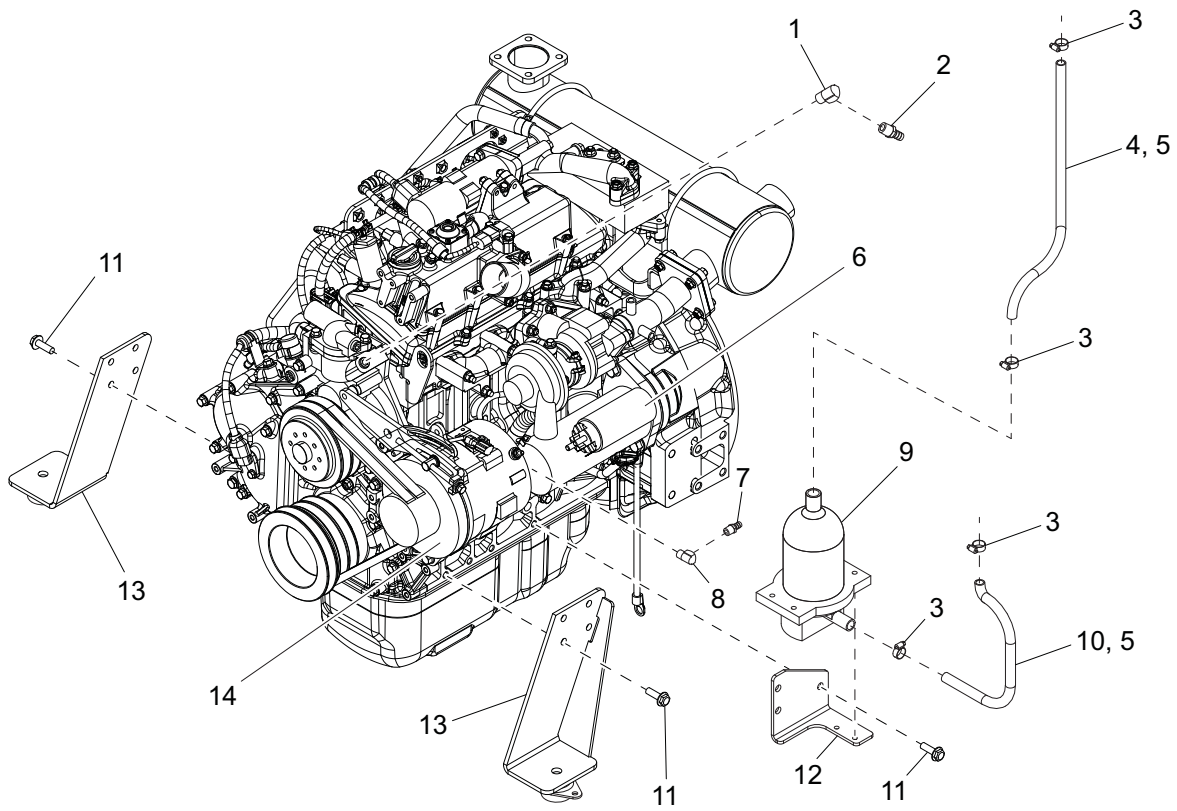
ENGINE AND GENERATOR TO SKID ASSEMBLY



ENGINE AND GENERATOR TO SKID ASSEMBLY

ITEM	PART NO.	QTY	DESCRIPTION	NOTES
1	60353	6	Screw, .375-16x1.0 flg hex, self tapping, G2	
2	19042	1	Strap, braided ground - 10 in	
3	60369	2	Washer, M12 external star	
4	60018	8	Screw, M10-1.50x20 sflg hex, class 90	
5	14145	1	Tray, battery	
6	65686	1	Cable, battery - 24 in. 2GA black, 3/8 in. lug	
7	22970	1	Cable, battery - 50 in. 2GA red w/boot, 3/8 in. lug	
8	60984	2	Bolt, J - .250-20x7.0 w/nut	
9	60089	2	Washer, .265 fender 1.250/.060	
10	60090	2	Nut, .250-20 wing, G5	
11	14682	1	Bracket, battery hold-down	
--	33766	1	Harness, engine	
--	67846	1	Harness, engine extension	
--	67870	1	Harness, main	

ENGINE ASSEMBLY

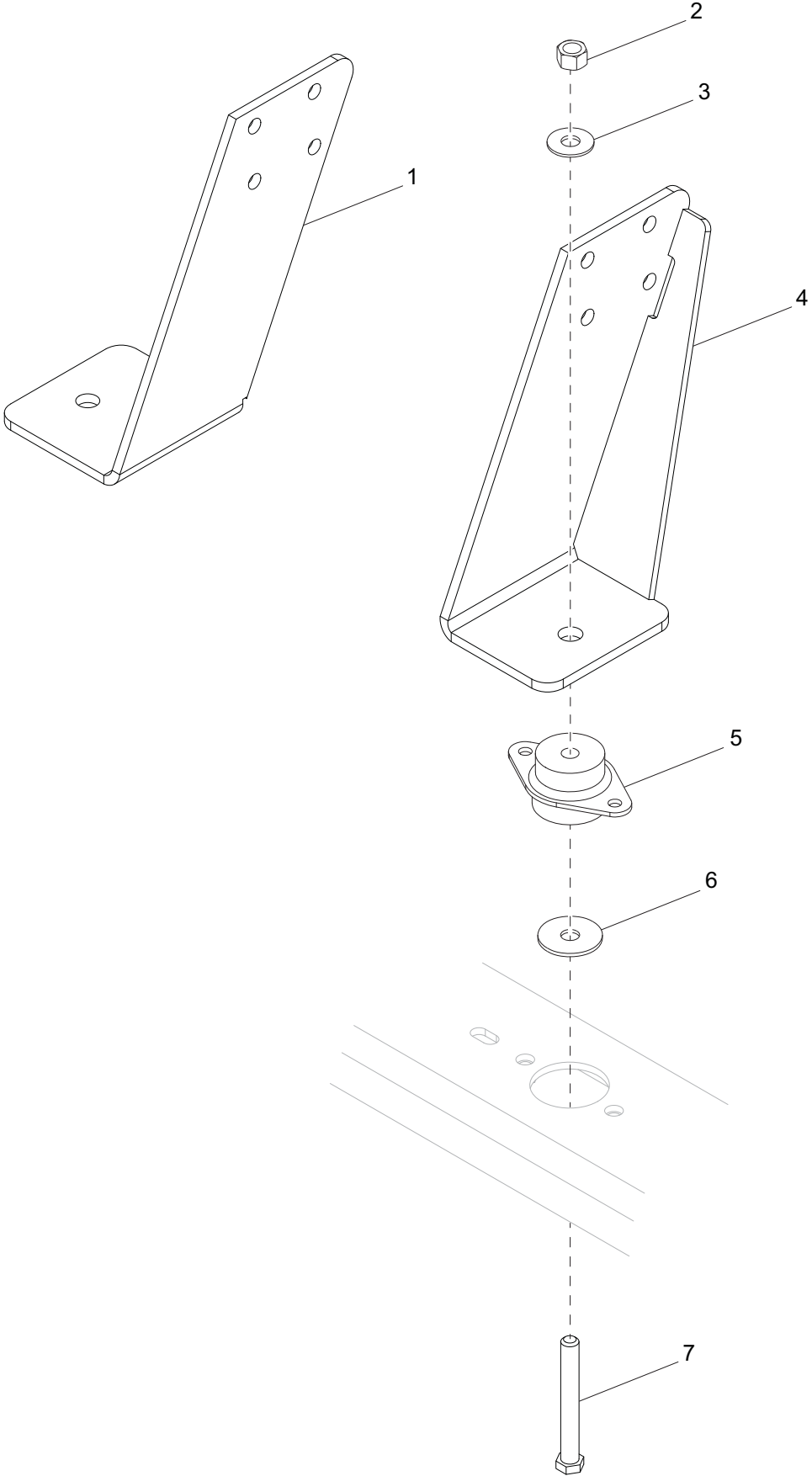


ENGINE ASSEMBLY

ITEM	PART NO.	QTY	DESCRIPTION	NOTES
1	15396	2	Fitting, 90° - .375MNPTx.375FNPT, brass	
2	25931	2	Fitting, strt - .375NPTx.625 barb	
3	60365	4	Clamp, hose - SAE 010 (.56-1.06)	
4	50201	1.33 ft	Hose, .625, 200 psi, class A	
5	66658	2.83 ft	Loom, wire - 1.06 ID	
6	36662	1	Starter	
7	25917	1	Fitting, strt - .250NPTx.625 barb	
8	33894	1	Fitting, 45° - .250MNPTx.250FNPT	
9	25914	1	Heater, coolant, 120V, 500W	
10	50201	1.50 ft	Hose, .625, 200 psi, class A	
11	60018	11	Screw, M10-1.25x20 sflg hex, class 90	
12	33820B	1	Bracket, coolant heater	
13	Page 76	2	Assembly, engine mount	
14	36661	1	Alternator	
15	33981	1	Engine, Isuzu, 4LE2XAGV01	
16	36660	1	Cap, oil	
17	36663	1	Thermostat	
18	36664	1	Gasket, thermostat	
19	36659	1	Belt, fan	
20	33644	1	Spacer, fan	
21	60462	4	Screw, M6-1.00x40 soc hex, G10.9	
22	33779	1	Fan, engine - 19.0	
23	60271	4	Washer, .312 split lock	
24	33942	4	Screw, .312-18x.750 button socket cap, G5	
25	60365	2	Clamp, hose - SAE 010 (.56-1.06)	
26	50332	1 ft	Hose, fuel - .750 ID, 35 psi, SAE 30R7	
27	36351	1	Plug, oil	
28	36352	1	Gasket, oil plug	
29	36657	1	Sensor, coolant temperature	
30	36658	1	Dipstick	
31	Page 78	1	Assembly, engine filters	
--	62203	2	Fitting, strt - .750-16 JIC x #8 push-lok	Attaches to oil pump
--	61035	2	Fitting, strt - .750MNPTx.750-14 JIC	Attaches to oil pump
--	32930B	1	Bracket, pressure sensor	
--	60165	1	Screw, M8-1.25x16 std hex, G10.9	
--	60271	1	Washer, .312 split lock	
--	36656	1	Sensor, oil pressure	
--	63336	1	Fitting, drain - M24x2.0	Items 17 - 18
--	50051	.92 ft	Hose, fuel - .375 ID, 50 psi, SAE 30R7	
--	50051	1.33 ft	Hose, fuel - .375 ID, 50 psi, SAE 30R7	
--	50051	1.50 ft	Hose, fuel - .375 ID, 50 psi, SAE 30R7	

Note: Engine and generator parts used in all Magnum Power Products LLC equipment carry the Original Equipment Manufacturer (OEM) warranty unless otherwise stated. OEM warranty parts must be purchased through an OEM dealer. Please contact Magnum Power Products LLC with questions.

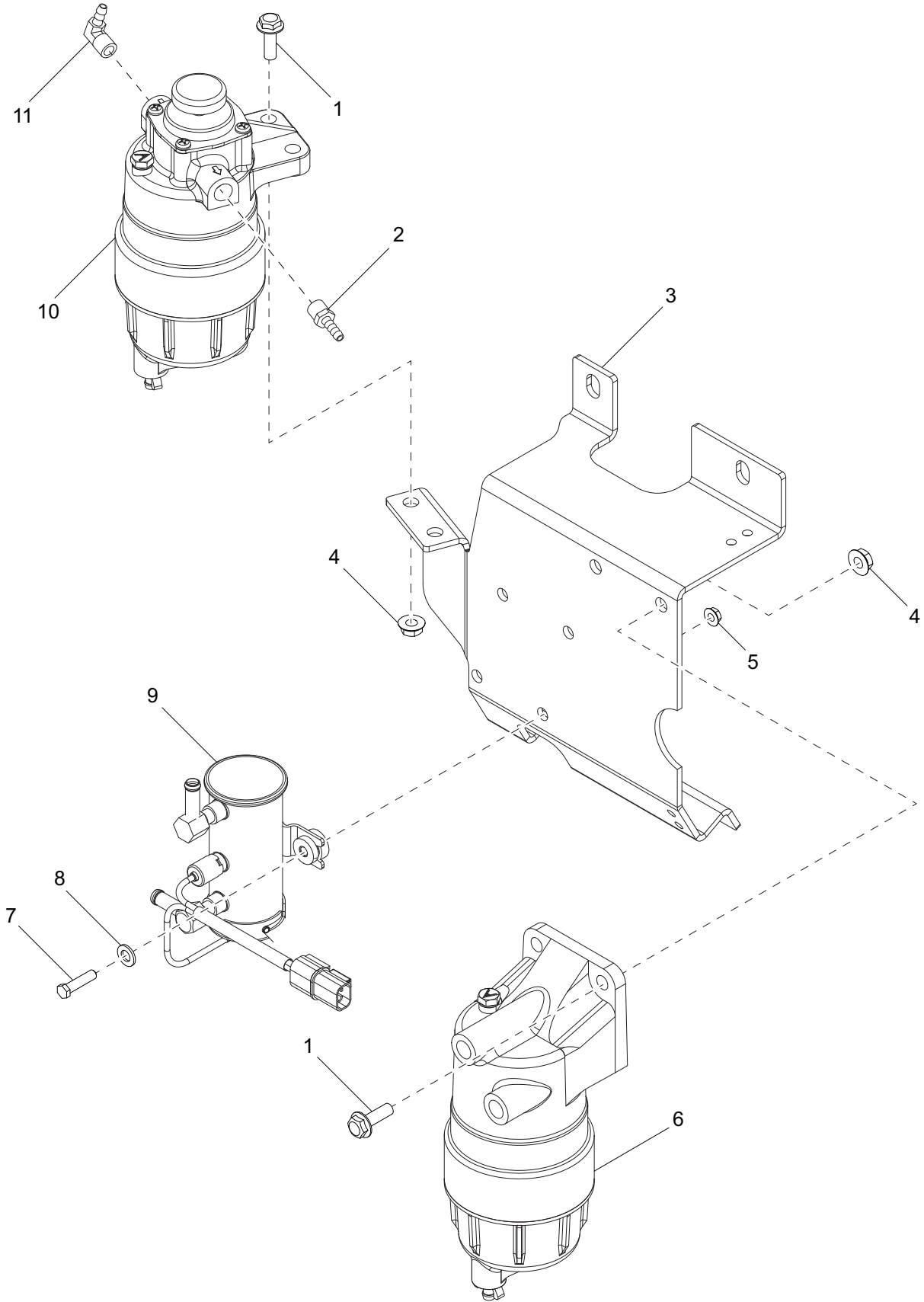
ENGINE MOUNT ASSEMBLY



ENGINE MOUNT ASSEMBLY

ITEM	PART NO.	QTY	DESCRIPTION	NOTES
1	33647B	1	Weldment, engine mount - right	
2	62221	2	Nut, .500-13 nylock, G5	
3	60416	2	Washer, .500 flat 1.375/.090	
4	33648B	1	Weldment, engine mount - left	
5	22788	2	Isolator, rubber - 350 lbs	
6	18085	2	Washer, .510 snubber 2.0/.130	
7	61094	2	Screw, .500-13x3.50 std hex, G8	

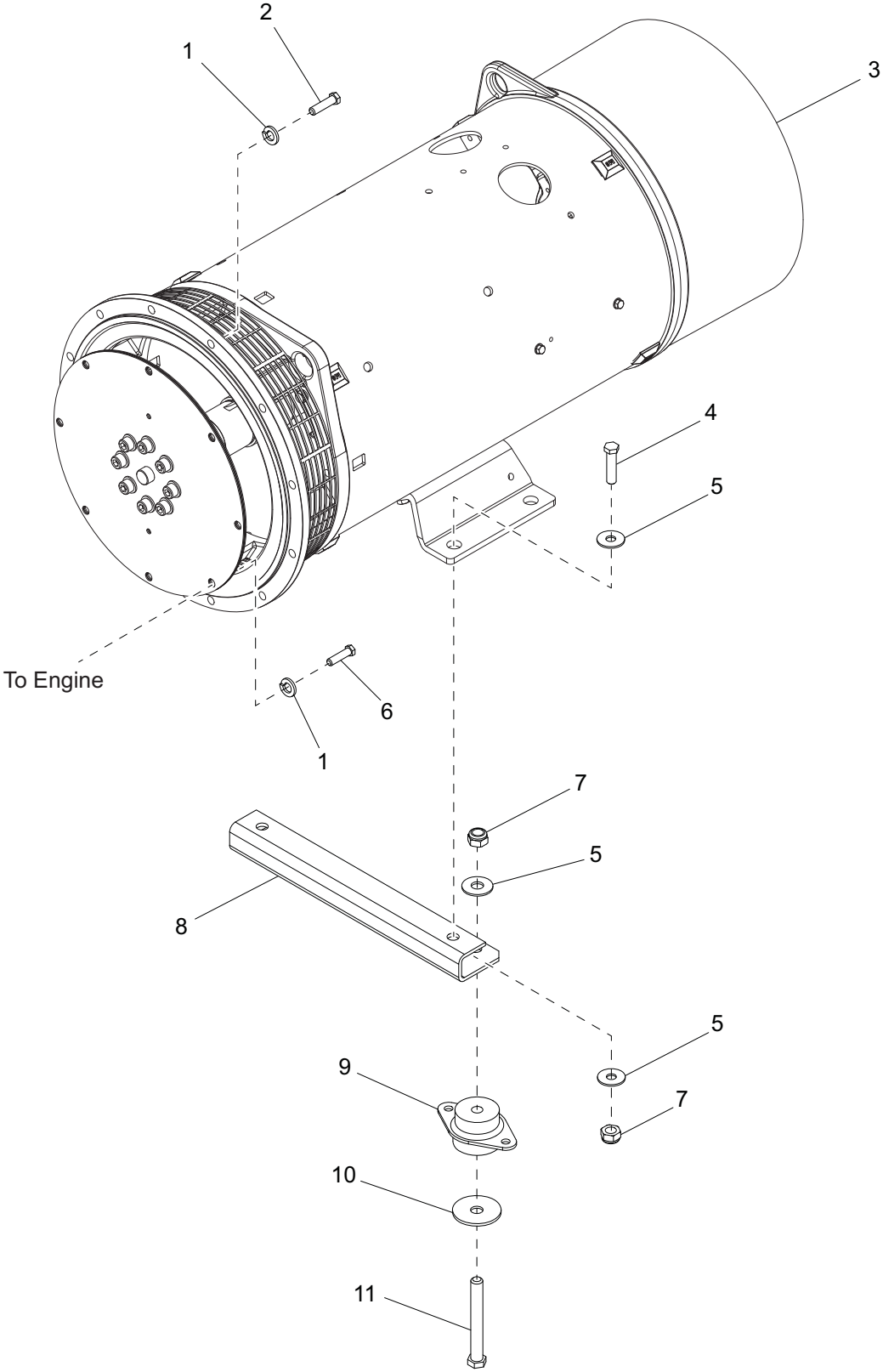
ENGINE FILTERS ASSEMBLY



ENGINE FILTERS ASSEMBLY

ITEMS	PART NO.	QTY	DESCRIPTION	NOTES
1	60487	4	Screw, .375-16x1.50 sflg hex, G5	
2	40734	1	Fitting, strt - .250MNPTx.375 barb, brass	
3	33906B	1	Bracket, fuel pump/filter	
4	60145	4	Nut, .375-16 sflg, G5	
5	60161	2	Nut, .250-20 sflg, G5	
6	33762	1	Filter, fuel - final	
7	60393	2	Screw, .250-20x1.0 std hex, G5	
8	60243	2	Washer, .250 flat .735/.060	
9	33764	1	Pump, fuel	
10	33763	1	Filter, fuel - primary	
11	20645	1	Fitting, 90° - .250NPTx.375 barb, brass	

GENERATOR ASSEMBLY

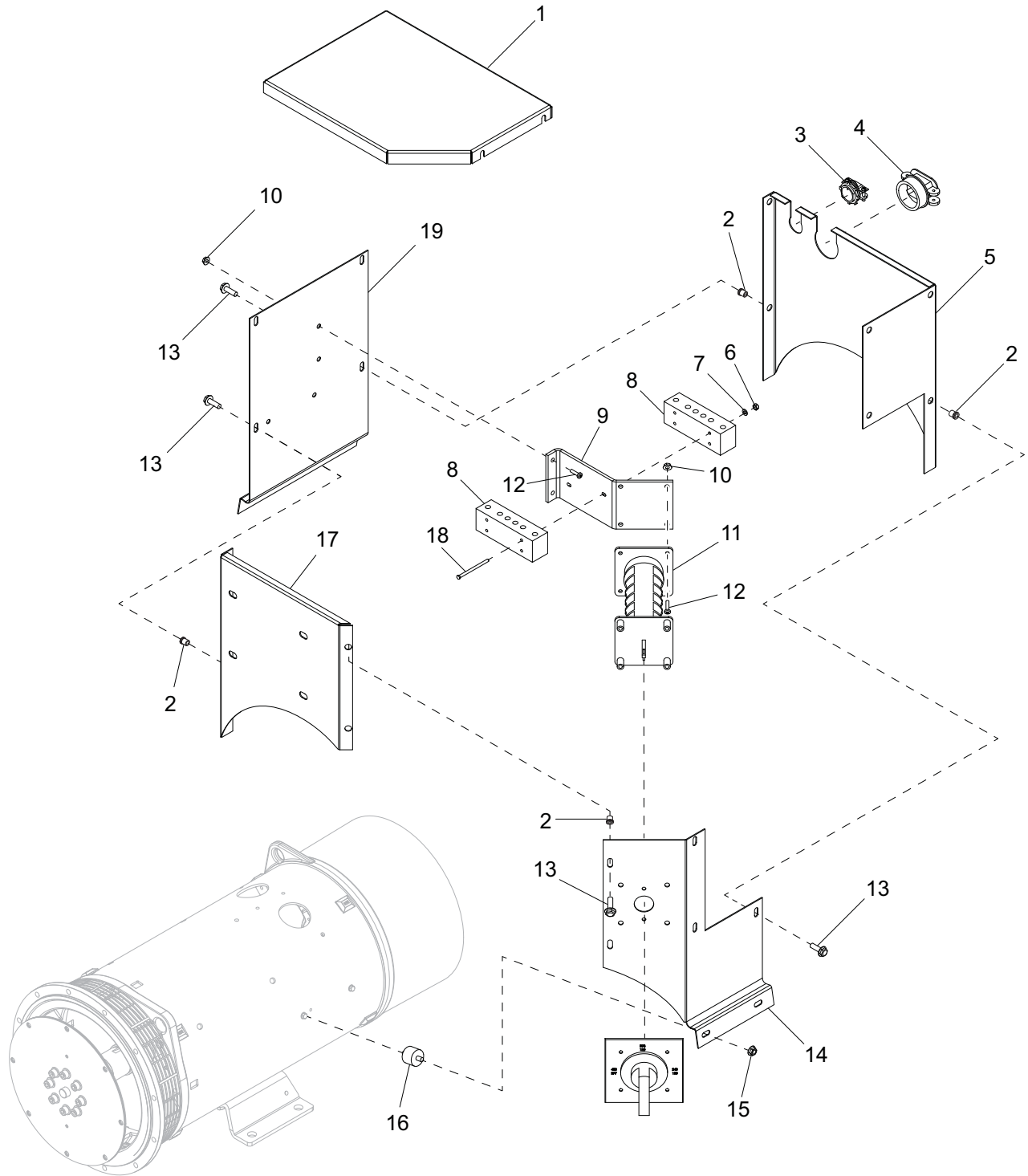


GENERATOR ASSEMBLY

ITEM	PART NO.	QTY	DESCRIPTION	NOTES
1	60026	20	Washer, M10 split lock	
2	60055	12	Screw, M10-1.50x35 std hex, G10.9	
3	36373	1	Generator	
4	61101	2	Screw, .500-13x1.50 std hex, G8	
5	60416	6	Washer, .500 flat 1.375/.090	
6	63338	8	Screw, M10-1.50x20 std hex, G10.9	
7	62221	4	Nut, .500-13 nylock, G5	
8	33659B	1	Bracket, generator mount adapter	
9	22788	2	Isolator, rubber - 350 lbs	
10	18085	2	Washer, .510 snubber 2.0/.130	
11	61094	2	Screw, .500-13x3.50 std hex, G8	
--	60649	1	Clamp, tubing - .750 hvy duty	

Note: Engine and generator parts used in all Magnum Power Products LLC equipment carry the Original Equipment Manufacturer (OEM) warranty unless otherwise stated. OEM warranty parts must be purchased through an OEM dealer. Please contact Magnum Power Products LLC with questions.

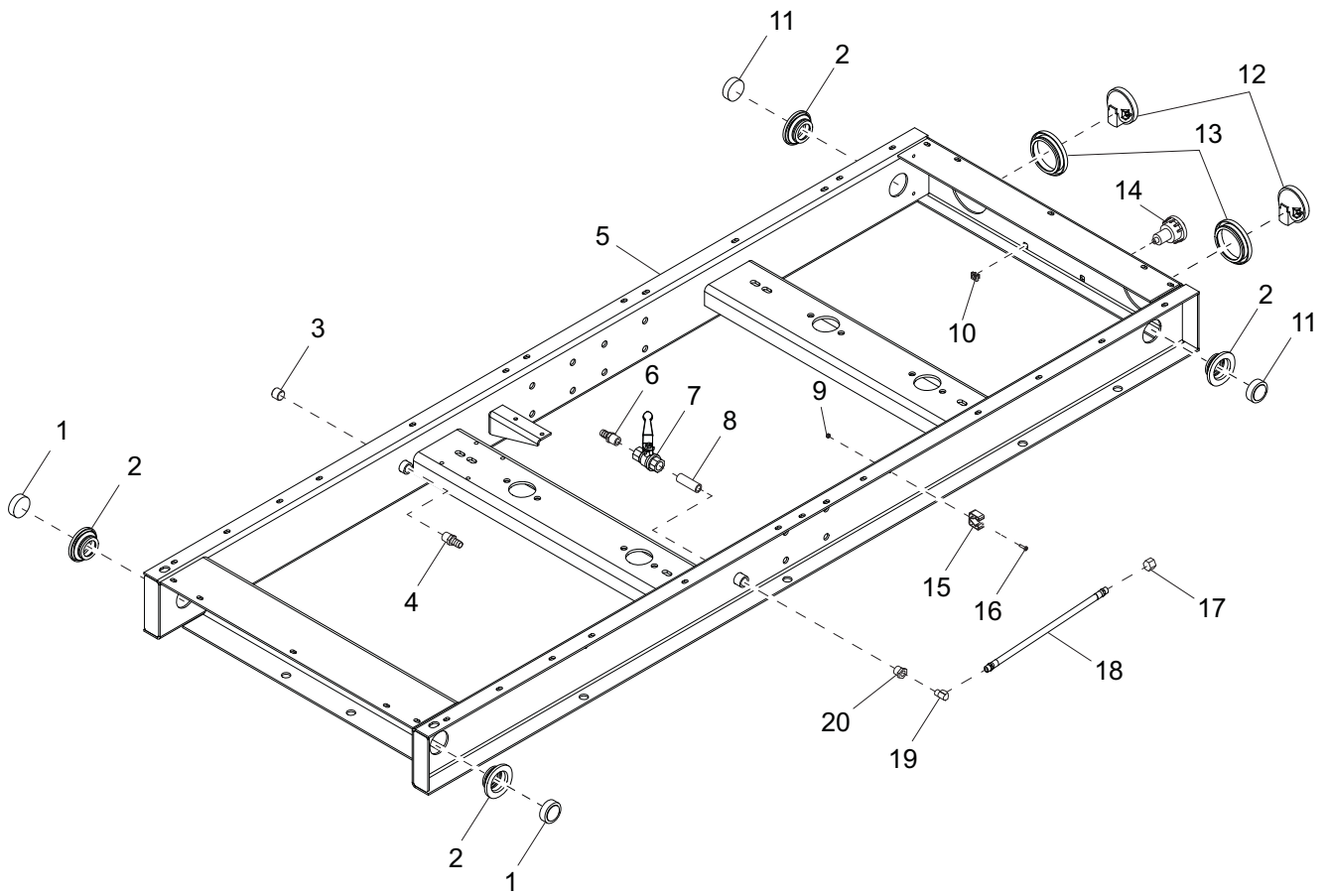
GENERATOR BOX ASSEMBLY



GENERATOR BOX ASSEMBLY

ITEM	PART NO.	QTY	DESCRIPTION	NOTES
1	22985B	1	Panel, generator box - top	
2	62132	10	Insert, threaded .250-20 splined .027-.165 grip	
3	14219	1	Strain relief - .75 Romex w/nut	
4	65239	1	Strain relief - 1.50 Romex w/nut	
5	33855B	1	Panel, generator box - rear	
6	60318	2	Nut, 8-32 hex, G5	
7	60041	2	Washer, M5 flat	
8	65481	2	Block, terminal - 6 pos	
9	22988B	1	Bracket, phase switch	
10	61045	6	Nut, 10-32 sflg	
11	65459	1	Switch, phase - 80A, 3 pos. (Y,y,Z)	
12	60062	6	Screw, 10-32x.750 pan phil, G2	
13	60528	10	Screw, .250-20x.625 sflg hex, G5	
14	23127B	1	Panel, generator box - left side	
15	60161	4	Nut, .250-20 sflg, G5	
16	22283	4	Bolt, flex bolt sandwich mount	Male/male
17	33664B	1	Panel, generator box - front	
18	60725	2	Screw, 8-32x2.50 pan slot, G2	
19	22984B	1	Panel, generator box - right side	
--	33662	1	Assembly, generator box	Items 1 - 19
--	23241	1	Wire group - 3 position phase switch & jumpers	

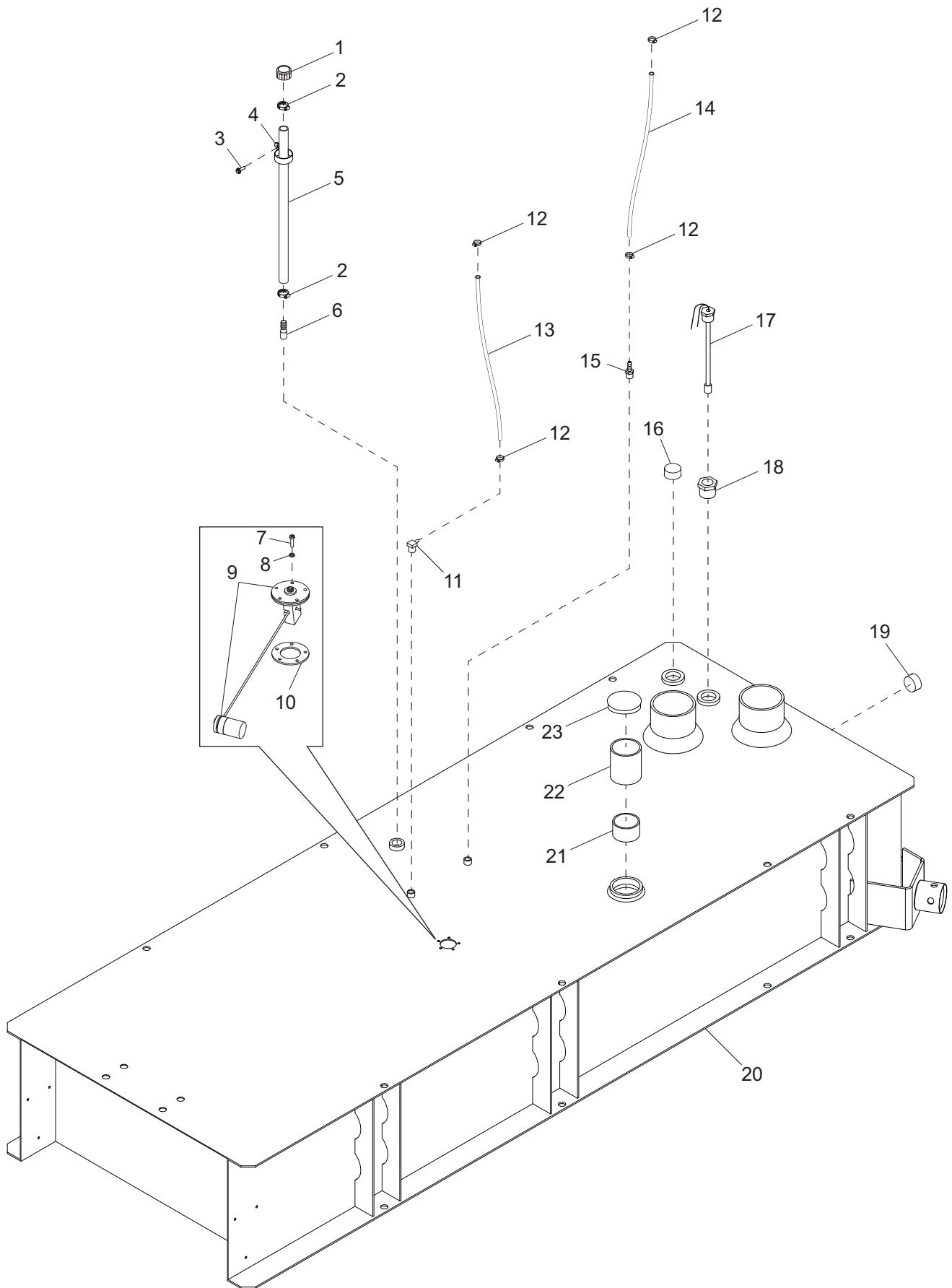
SKID ASSEMBLY



SKID ASSEMBLY

ITEM	PART NO.	QTY	DESCRIPTION	NOTES
1	66396	2	Light, 2.0 in. clearance, no grommet - amber	
2	66394	4	Grommet, 2.0 in. rubber	
3	18394	1	Fitting, plug - .500NPT x internal hex	
4	60999	1	Fitting, strt - .500MNPTx.312 barb, brass	
5	33732B	1	Weldment, skid	
6	60502	1	Fitting, strt - .500MNPTx.625 barb, brs	
7	19279	1	Valve, ball - .500NPTF	
8	60438	1	Fitting, nipple, pipe - .500NPT x close	
9	60061	1	Nut, 10-32 nylock	
10	63289	4	Nut, .312-18 cage	
11	66397	2	Light, 2.0 in. clearance, no grommet - red	
12	10220	2	Light, round, no grommet - rear tail/turn	
13	10221	2	Grommet, 4.5 in. rubber	
14	19207	2	Light, license plate/panel - round eye	
15	19041	1	Clip, spring holder	
16	60398	1	Screw, 10-32x.500 pan phil, SS	
17	19300	1	Fitting, pipe - .375 hex	
18	19168	1	Assembly, hose - .375x20, 30R7	
19	15396	1	Fitting, 90° - .375MNPTx.375FNPT, brass	
20	22570	1	Fitting, strt - .500MNPTx.375FNPT	
--	67884	1	Harness, trailer	
--	67883	1	Harness, trailer extension	

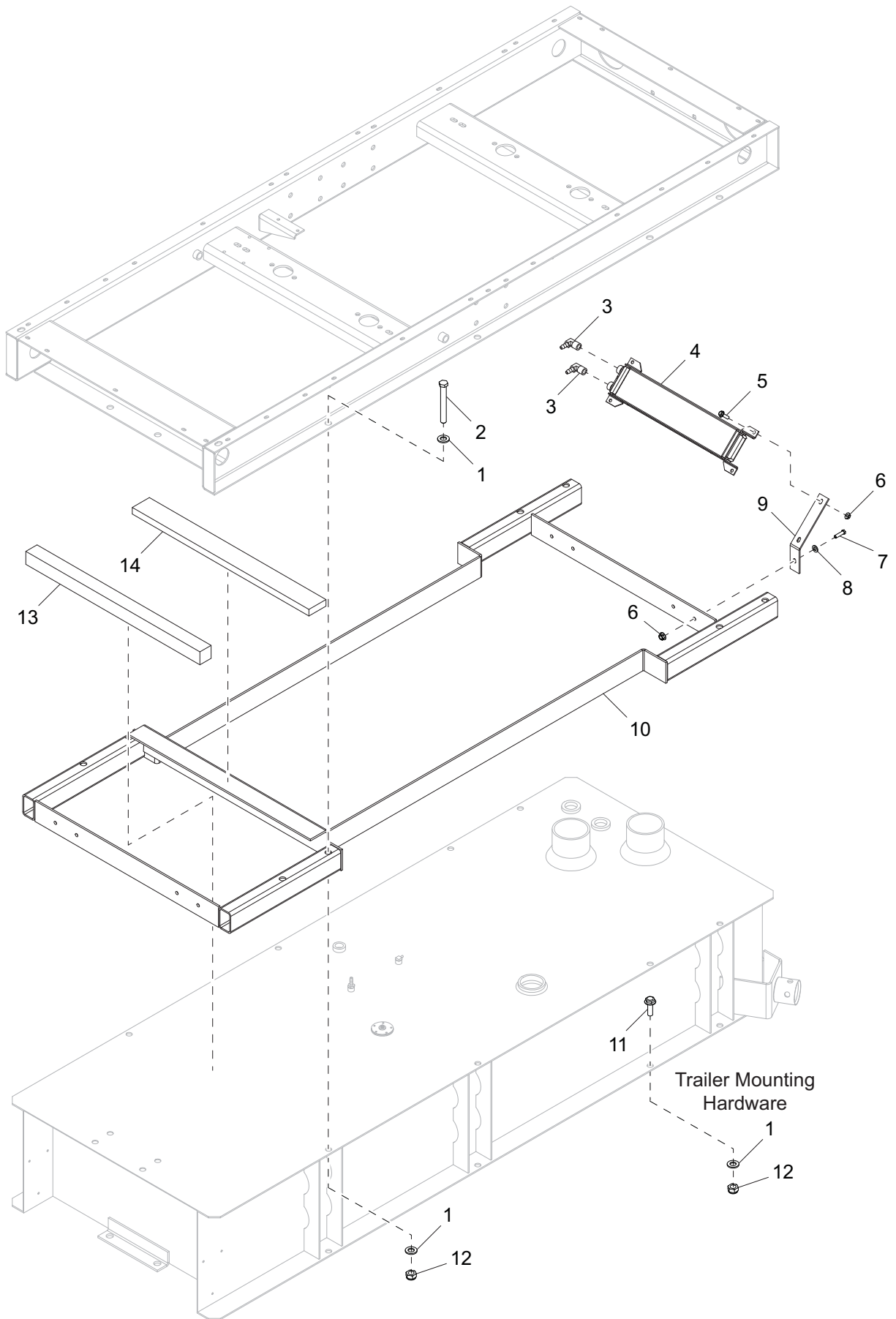
FUEL TANK ASSEMBLY



FUEL TANK ASSEMBLY

ITEM	PART NO.	QTY	DESCRIPTION	NOTES
1	26379	1	Vent, plastic fuel 1.00 ID	
2	19338	2	Clamp, hose - SAE 016 (.68-1.50)	
3	60479	1	Screw, .250-20x1.0 sflg hex, G5	
4	60716	1	Clamp, tubing - 1.50 lt duty	
5	50169	3.17 ft	Hose, 1.0 in., class A	
6	21451	1	Fitting, strt - 1.0MNPTx1.0 barb	
7	60062	5	Screw, 10-32x.750 pan phil, G2	
8	60252	5	Washer, #10 split lock	
9	20571	1	Sender, fuel - 10-15 in. tank	
10	22323	1	Gasket, fuel sending unit	
11	62145	1	Fitting, 90° - .375MNPTx.375 barb, brass	
12	19453	4	Clamp, hose - SAE 006 (.37-.87)	
13	50051	3.83 ft	Hose, fuel - .375 ID, 50 psi, SAE 30R7	
14	50051	3.08 ft	Hose, fuel - .375 ID, 50 psi, SAE 30R7	
15	25082	1	Fitting, strt - .375MNPTx.375 barb	
16	61098	1	Fitting, plug - 1.50NPT square drive	
17	65961	1	Switch, float 10.0 in. OAL NC	
18	61184	1	Fitting, strt - 1.50MNPTx1.0FNPT	
19	65636	1	Fitting, plug - 1.0NPT flush mount w/hex soc	
20	33694B	1	Tank, fuel - double wall	
21	21127	1	Fitting, nipple, pipe - 2.0NPT x close	
22	40458	1	Fitting, strt - 2.0NPT coupler	
23	33703	1	Cap, fuel - 2.0NPT GPI	
--	61078	6	Screw, .625-11x2.0 flg hex, G8	To attach tank to trailer
--	60180	6	Washer, .625 flat 1.750/.10-.16	To attach tank to trailer
--	60240	6	Nut, .625-11 nylock, G5	To attach tank to trailer

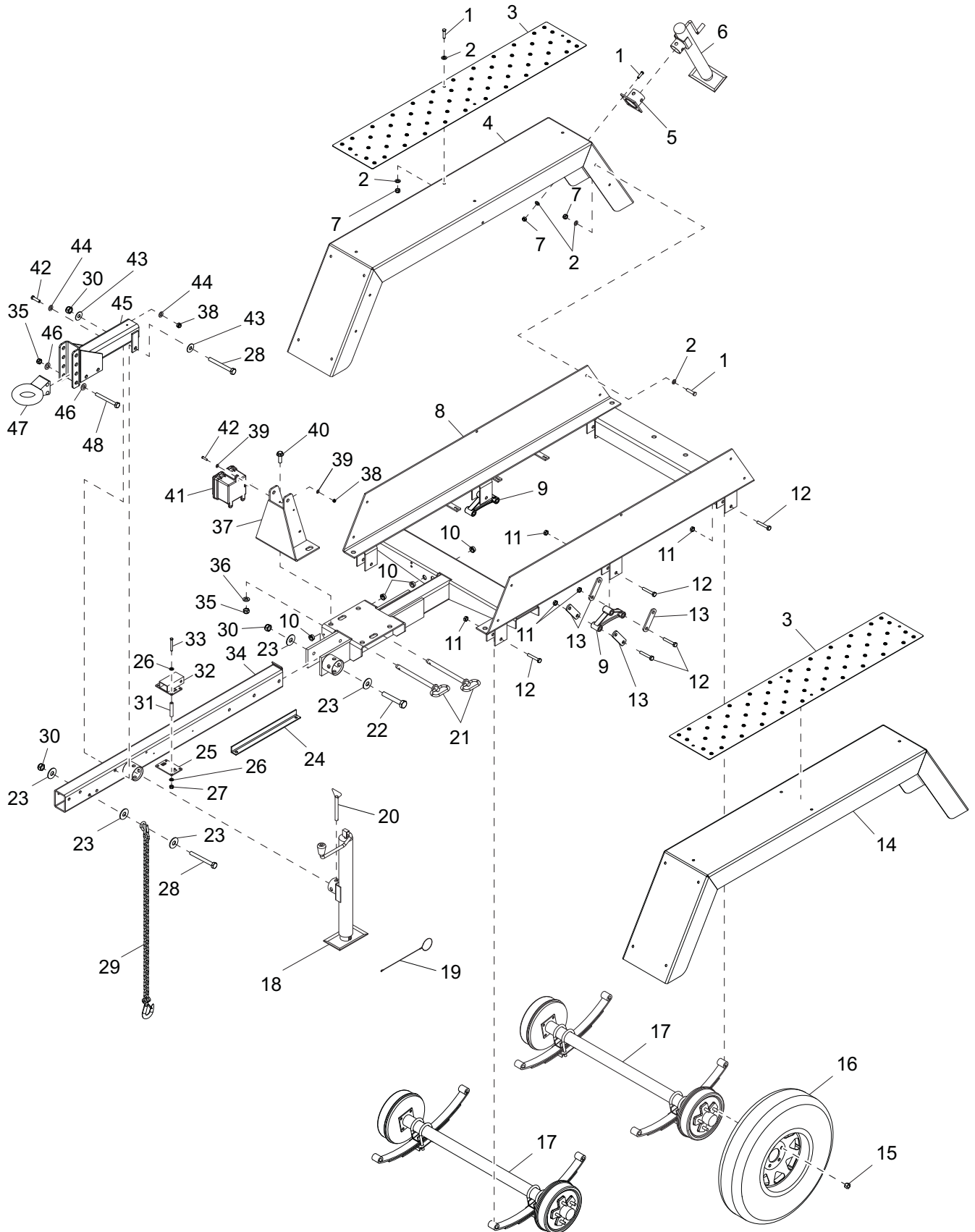
SKID TO FUEL TANK ASSEMBLY



SKID TO FUEL TANK ASSEMBLY

ITEM	PART NO.	QTY	DESCRIPTION	NOTES
1	60180	14	Washer, .625 flat 1.750/.10-.16	
2	63337	4	Screw, .625-11x4.50 hex, G8	
3	62145	2	Fitting, 90° - .375MNPTx.375 barb, brass	
4	33700	1	Cooler, fuel	
5	60616	4	Screw, .312-18x.750 sflg hex, G5	
6	60095	6	Nut, .312-18 sflg	
7	60507	2	Screw, .312-18x1.0 std hex, SS	
8	60340	2	Washer, .312 flat .875/.040, SS	
9	36386B	2	Bracket, fuel cooler	
10	36355B	1	Weldment, adapter skid	
11	61078	6	Screw, .625-11x2.0 flg hex, G8	
12	60240	10	Nut, .625-11 nylock, G5	
13	34670	1	Foam - 31.0x2.0x2.0	
14	34669	1	Foam - 31.0x3.0x1.0	
--	50051	5.25 ft	Hose, fuel - .375 ID, 50 psi, SAE 30R7	Top fuel cooler hose
--	19453	2	Clamp, hose - SAE006 (.37-.87)	

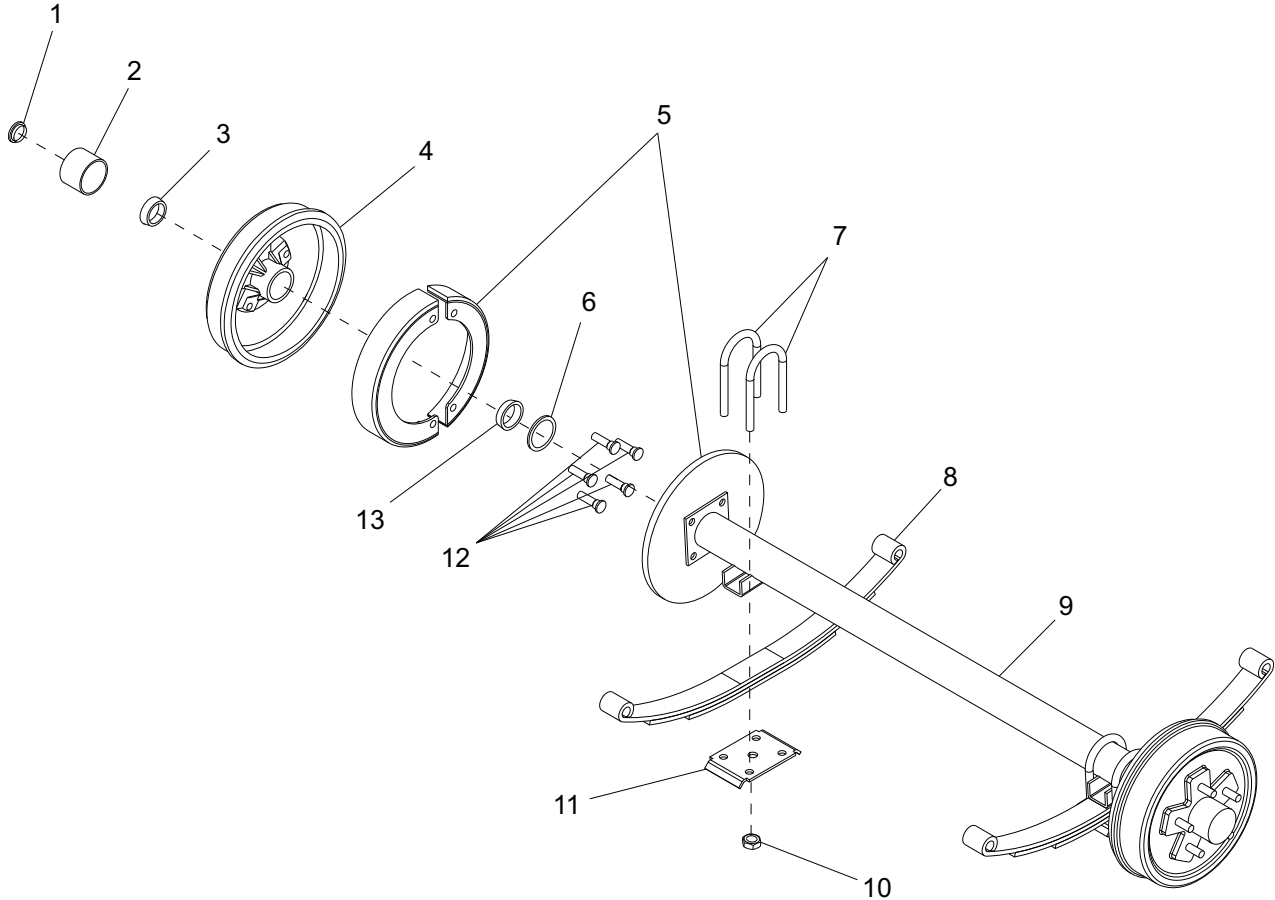
TRAILER ASSEMBLY



TRAILER ASSEMBLY

ITEM	PART NO.	QTY	DESCRIPTION	NOTES
1	61036	26	Screw, .375-16x1.250 std hex, SS	
2	60698	44	Washer, .375 flat .875/.040, SS	
3	33857B	2	Plate, anti-skid	
4	33800B	1	Fender, tandem - right	
5	11965Z	2	Weldment, jack adapter	
6	41133	2	Jack, side wind - 2000 lb, tube mounted	
7	60358	26	Nut, .375-16 nylock, G5	
8	30523B	1	Weldment, flip tongue trailer - tandem	
9	40545	2	Equalizer, tandem axle - 5.625 centers	
10	22340	4	Fitting, bushing - 1.0 ODx.750 ID	
11	60504	14	Nut, .562-18 lock hex, G5	
12	60503	14	Screw, shackle, .562-18x3.0 std hex, G5	
13	19637	8	Plate, shackle bracket - 3.125 in	
14	33799B	1	Fender, tandem - left	
15	60096	20	Nut, .500-20 lug, G5	
16	15540	4	Wheel, ST205/75R15 - 1598 lb	
17	Page 92	2	Assembly, axle	
18	23254	1	Jack, top wind - 2000 lb, tube mounted	
19	12647	1	Cable, tether	
20	23256	1	Pin, jack - 2000 lb, tube mounted	
21	30526	2	Pin, tethered hitch - .500x5.75	
22	61104	1	Screw, .500-13x5.50 std hex, G8	
23	60416	8	Washer, .500 flat 1.375/.090	
24	24691B	1	Brace, tongue shipping	
25	33430B	1	Bracket, tongue mount - top	
26	60119	8	Washer, .312 flat .875/.070	
27	60412	4	Nut, .312-18 hex, G5	
28	61099	5	Screw, .500-13x5.0 std hex, G8	
29	20159	2	Chain, trailer safety, hi test - .375 in	
30	62221	6	Nut, .500-13 nylock, G5	
31	33876B	4	Spacer, .750 OD, .51 ID, 4.0 long	
32	33432B	1	Weldment, tongue mount - top	
33	60974	4	Screw, .312-18x5.0 std hex, G5	
34	30931B	1	Weldment, tongue - w/support plate	
35	60240	4	Nut, .625-11 nylock, G5	
36	60180	2	Washer, .625 flat 1.750/.10-.16	
37	33429B	1	Weldment, tongue mount - bottom	
38	60144	4	Nut, .250-20 nylock, G5	
39	60696	6	Washer, .250 flat .625/.050, SS	
40	61078	2	Screw, .625-11x2.0 flg hex, G8	
41	48454	1	Kit, breakaway - 12V	
42	60620	4	Screw, .250-20x1.0 std hex, SS	
43	60309	6	Washer, .500 flat 1.060/.090	
44	60166	2	Washer, M8 flat	
45	27991B	1	Weldment, hitch electric - 4 position	Adjustable
46	60193	4	Washer, M16 flat	
47	19335B	1	Coupler, lunette ring - 3.0 in., 20000 lb	Adjustable
48	60239	2	Screw, .625-11x5.0 std hex, G5	
--	33658	1	Harness, brake - tandem	
--	33900	1	Adapter, trailer - 4pin & 2pin elec. brake to 7spde	
--	13051	1	Assembly, jack	Items 17 - 19
--	50021	2.67 ft	Loom, wire - .375	For axle electric brake wires
--	50021	2.67 ft	Loom, wire - .375	For breakway kit wires
--	16143	--	Clamp, tubing - .500	

AXLE ASSEMBLY



AXLE ASSEMBLY

ITEM	PART NO.	QTY	DESCRIPTION	NOTES
1	11254	4	Plug, grease cap - zerk	
2	23170	4	Cap, grease	
3	40956	4	Outer bearing	
4	12311	4	Brake drum - 10 in. 5 on 4.5 in	
5	26442	2	Kit, electric brake assembly, 10 in. - left	
	26443	2	Kit, electric brake assembly, 10 in. - right	
6	12307	4	Bearling seal DL350	
7	11277	8	U-bolt - 3500 lb	
8	11280	4	Leaf spring - 3500 lb	
9	19422	2	Axle, electric - 3500 lb	
10	26441	16	Nut, .500 U-bolt - plated	
11	11278	4	Tie plate - 3500 lb	
12	60674	20	Stud, wheel - .500-20, G8	
13	40954	4	Inner bearing	

RECOMMENDED SPARE PARTS LIST

ENGINE

Alternator	36661
Belt, fan	36659
Cap, radiator.....	19219
Cap, oil	36660
Dipstick.....	36658
Element, air filter.....	22874
Filter, fuel - final	33762
Filter, fuel - primary.....	33763
Filter, oil	33765
Gasket, thermostat	36664
Hose, radiator - lower	33680
Hose, radiator - upper.....	33679
Jug, overflow - 2.5 qt	24952
Sensor, air temperature	36368
Sensor, barometric pressure	36367
Sensor, coolant temperature	36657
Sensor, low coolant (GEMS) assy	30942
Sensor, oil pressure	36656
Starter	36662
Thermostat	36663

ELECTRICAL

Breaker, 20A, 240V, 1-pole.....	18091
Breaker, 400A, 12-24VDC	65383
Controller, programmed.....	67107
Kit, voltage adjustment w/wires	26229
Receptacle, 120V 20A GFI.....	14130
Regulator, voltage - PM300	36665
Relay, 12V 70A NC/80A NO w/diode.....	66455
Sensor, fuel level	20571
Switch, E-stop, 2NO/1NC	22550
Switch, phase - 125A, 3-pos.....	65500
Switch, toggle - SPST 20A	25077
Switch, trigger safety	12632

TRAILER

Chain, safety.....	23367
Grommet, rubber - 2.0 in	66394
Grommet, rubber - 4.5 in	10221
Jack, top wind.....	23254
Light, clearance amber - LED (no grommet)	66702
Light, clearance red - LED (no grommet)	66703
Tail lights - LED (no grommet)	66701

REV: ORG
PART NO: 33849
12.18.13